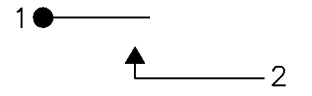


MICRO SWITCH
a Honeywell Division

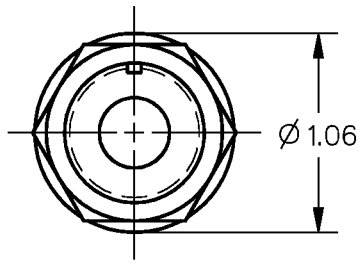
FED. MFG. CODE 91929

SWITCH - ENCLOSED

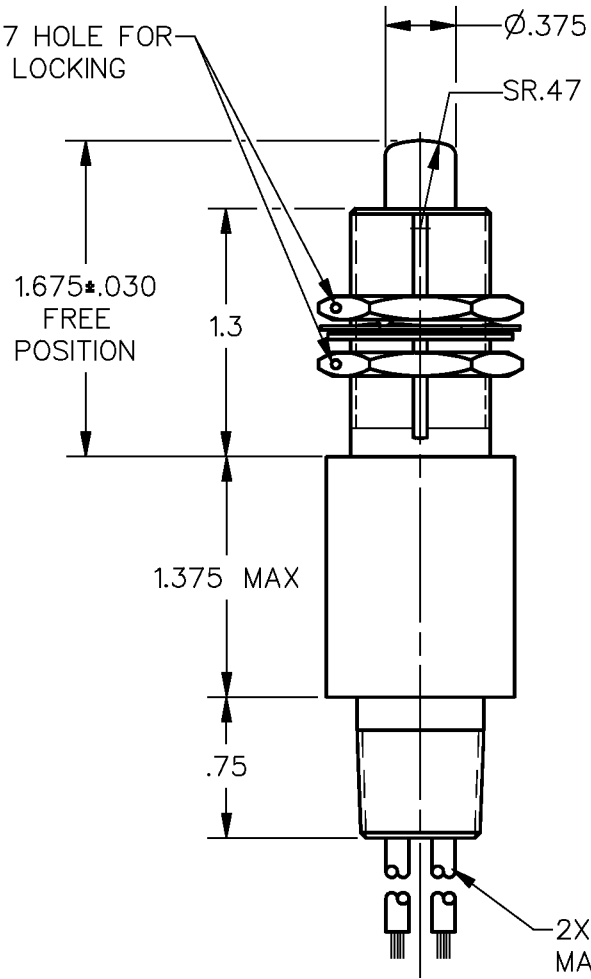
CATALOG LISTING
12HR61-10B



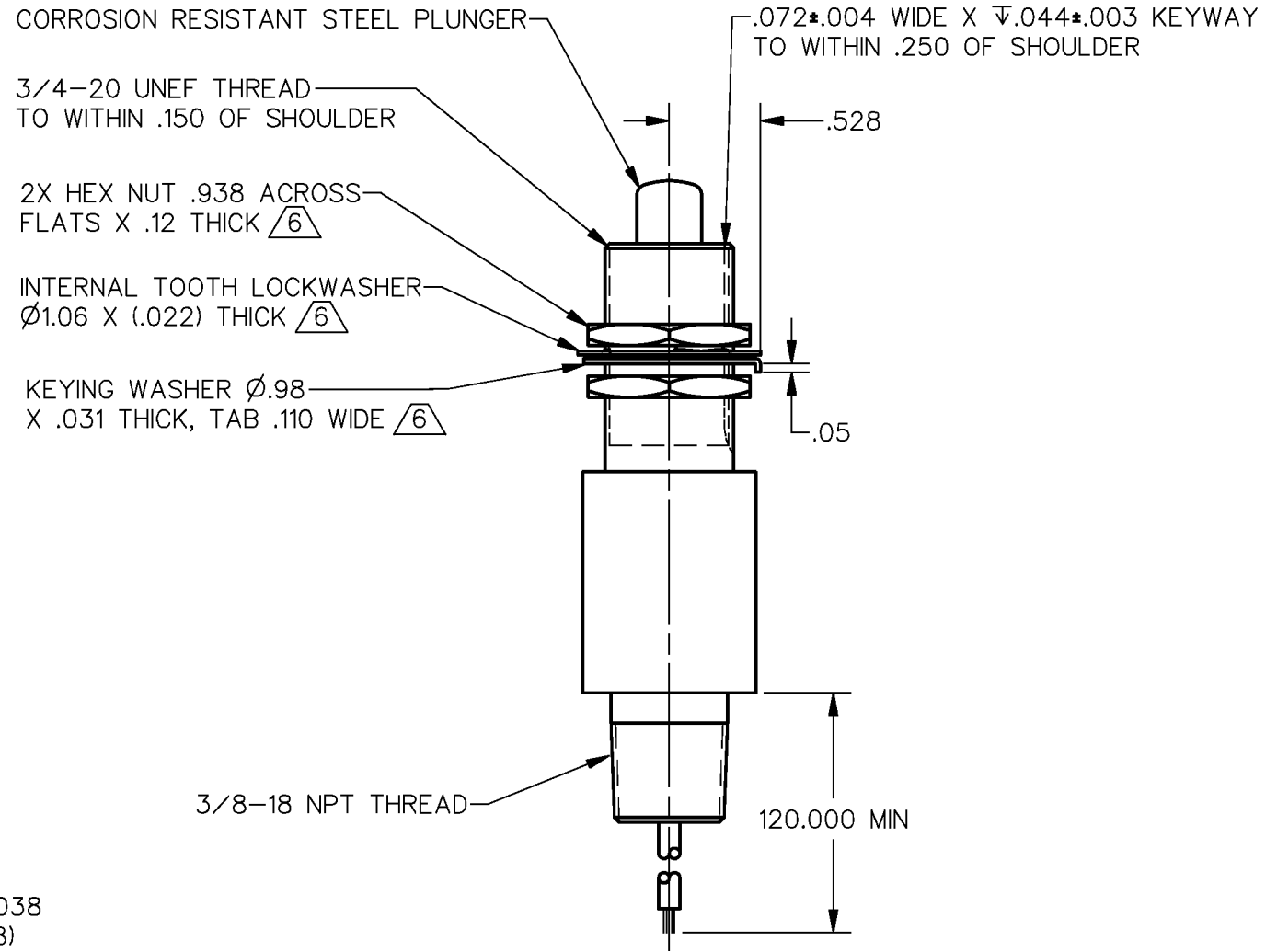
CIRCUIT DIAGRAM



Ø.047 HOLE FOR WIRE LOCKING



2X NO. 18 WIRE LEAD PER SPEC MIL-W-25038
MARKED PER SPEC MIL-W-5088 (1-18, 2-18)



CATALOG LISTING
12HR61-10B

ISSUE **M**
3

PAGE 1 OF 1

REVISIONS
A PR23489
J A S
28 MAY 98

CHECK

CHECK

CHECK

CHECK

CHECK

CHECK

CHECK

RELEASE NO. PR-23489 REPLACES

THIS DRAWING COVERS A PROPRIETARY ITEM AND IS THE PROPERTY OF MICRO SWITCH, A DIVISION OF HONEYWELL. THIS DRAWING IS NOT TO BE COPIED OR USED WITHOUT THE APPROVAL OF MICRO SWITCH

THIRD ANGLE PROJECTION

CHARACTERISTICS	ELECTRICAL DATA
OPERATING FORCE ——— 6-12 LB	CONTACT ARRANGEMENT
FULL OVERTRAVEL FORCE --- 35 LB MAX	S P N O
RELEASE FORCE ——— 5 LB MIN	28 VDC
PRETRAVEL ——— .050 MAX	SEA LEVEL
DIFFERENTIAL TRAVEL — .015 MAX	28 VDC
OVERTRAVEL ——— .250 MIN	50,000 FT
	RES 5
	IND 2

TOLERANCES	
ONE PLACE	(.0) ±.030
TWO PLACE	(.00) ±.015
THREE PLACE	(.000) ±.005
ANGLES	±
WEIGHT	

- NOTES
- 1 - SWITCH CHAMBER SEALED PER MIL-S-8805 SYMBOL 5
WATERTIGHT TEST NOT APPLICABLE
 - 2 - ALL EXPOSED PARTS ARE CORROSION RESISTANT
 - 3 - CIRCUIT DIAGRAM AND CATALOG LISTING ARE PERMANENTLY MARKED ON SWITCH HOUSING
 - 4 - LEAD IDENTIFICATION IS SHOWN ON CIRCUIT DIAGRAM
 - 5 - SWITCH WILL OPERATE SATISFACTORILY IN TEMPERATURES FROM -85°F TO +599°F
- (6) HARDWARE MAY BE PACKAGED UNASSEMBLED PER MIL-S-8805

ANSI Y14.5M-1982 APPLIES

DDM/CAD

DRAWN

J A S 28 MAY 98