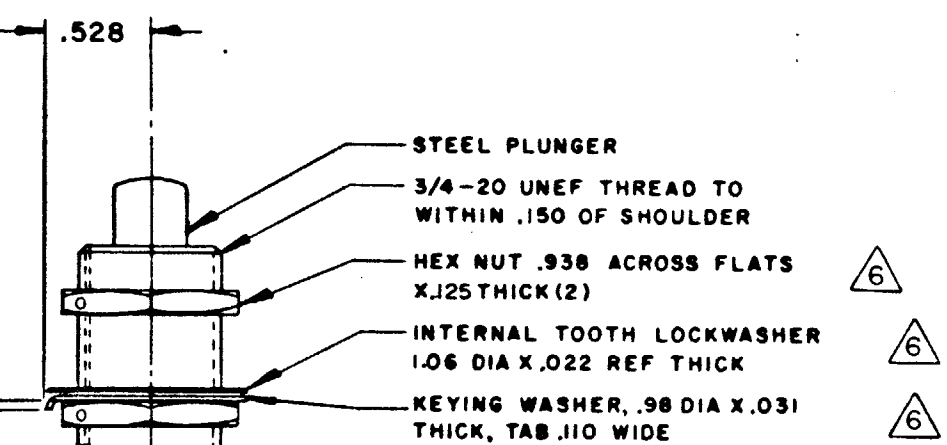
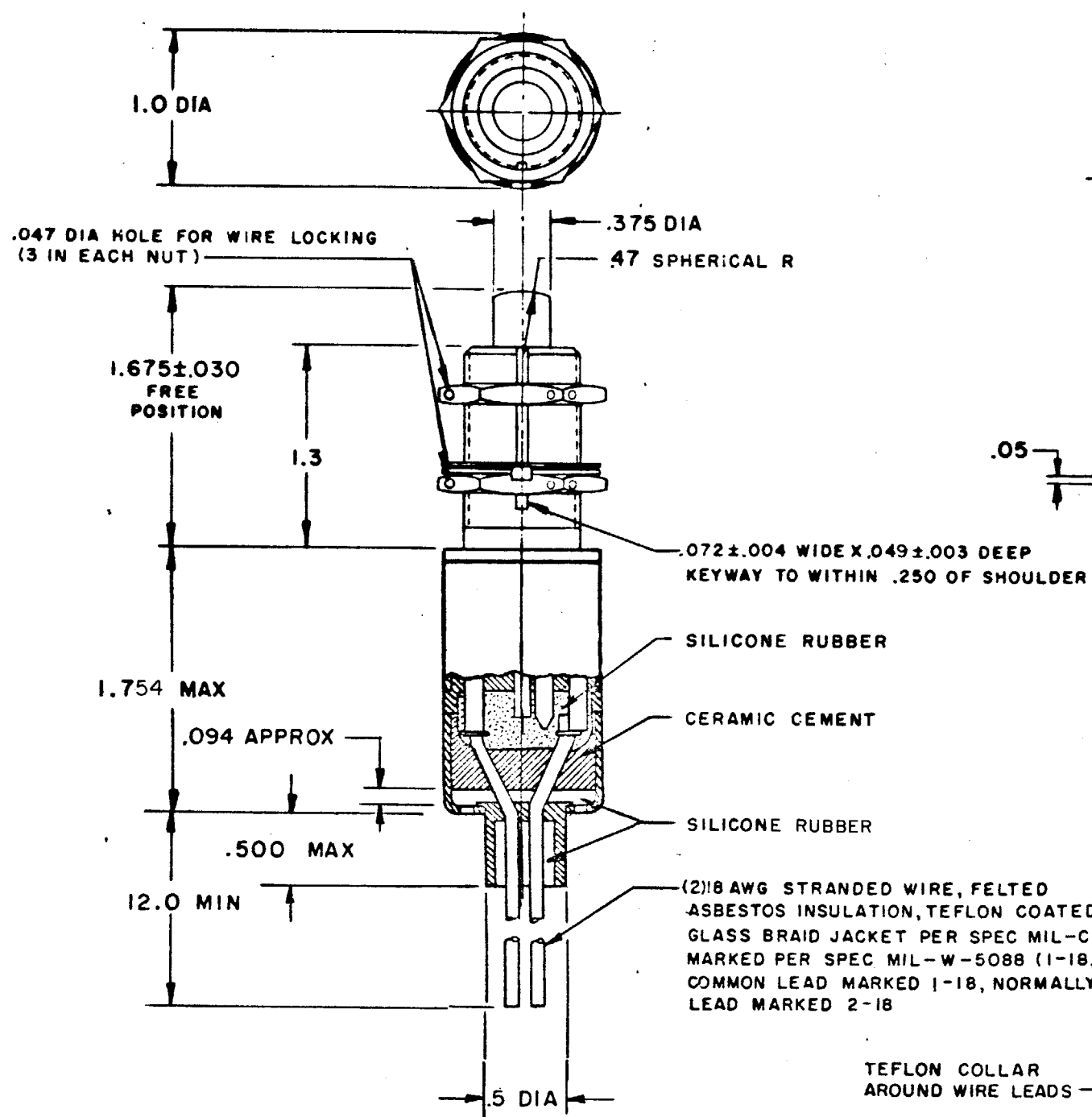
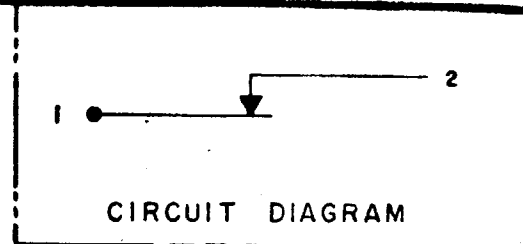


**MICRO SWITCH**

FED. MFR. CODE 91929

**SWITCH-ENCLOSED**

CATALOG LISTING  
**12HR34-1B**



- NOTES
- 1 SWITCH SEALED PER MIL-S-8805 SYMBOL 5 SWITCH CHAMBER. WATERTIGHT TEST NOT APPLICABLE
  - 2 ALL EXPOSED PARTS ARE CORROSION RESISTANT
  - 3 CIRCUIT DIAGRAM PERMANENTLY MARKED ON SWITCH HOUSING
  - 4 LEAD IDENTIFICATION IS SHOWN ON CIRCUIT DIAGRAM
  - 5 SWITCH WILL OPERATE SATISFACTORILY IN TEMPERATURES FROM -85°F TO +599°F
  - 6 HARDWARE MAY BE PACKAGED UNASSEMBLED PER MIL-S-8805

THIS DRAWING COVERS A PROPRIETARY ITEM AND IS THE PROPERTY OF MICRO SWITCH, A DIVISION OF MINNEAPOLIS-HONEYWELL REGULATOR CO. THIS DRAWING IS NOT TO BE COPIED OR USED WITHOUT THE APPROVAL OF MICRO SWITCH.

CHARACTERISTICS	ELECTRICAL DATA	SCALE FULL
OPERATING FORCE ----- 6-12 LB	CONTACT ARRANGEMENT S P N C	DO NOT SCALE PRINT
FULL OVERTRAVEL FORCE ----- 35 LB MAX	28 VOLTS DC (EACH CIRCUIT) RESISTIVE ----- 5 AMP INDUCTIVE ----- 2 AMP	UNLESS OTHERWISE SPECIFIED
RELEASE FORCE ----- 5 LB MIN		DIMENSIONS ARE IN INCHES
PRETRAVEL ----- .050 MAX		<b>TOLERANCES ARE:</b>
DIFFERENTIAL TRAVEL ----- .015 MAX		ONE PLACE (.01) ±.030
OVERTRAVEL ----- .250 MIN	TWO PLACE (.001) ±.015	
		THREE PLACE (.000) ±.008
		ANGLES ±
		WEIGHT 6.0Z MAX

M 12HR34-1B  
 DRAWING NUMBER  
 X 8  
 X 8  
 X 8  
 X 8  
 REVISIONS  
 A CO26535  
 RER 10 NOV 69  
 B CO 27058  
 DAW 7 MAR 70  
 C CO29661  
 GM 14 DEC 71  
 D CO31481  
 RER 10 JAN 73  
 E CO47573  
 TSM 16 JULY 80  
 F CO47277  
 J A P 8 JAN 81  
 G CO 53397  
 D J W 31 MAY 83  
 M B F 29 NOV 67  
 L S D  
 FC-00378 003  
 CRAN