

11HM43

CATALOG LISTING

PAGE 1 OF 1

REPLACES

PR-13591

ISSUE **M**
5

CHECK

REVISIONS

A OBS
CO-74515
CSL

3 MAY 93

B REINST
PR-23155

LJK

6 NOV 97

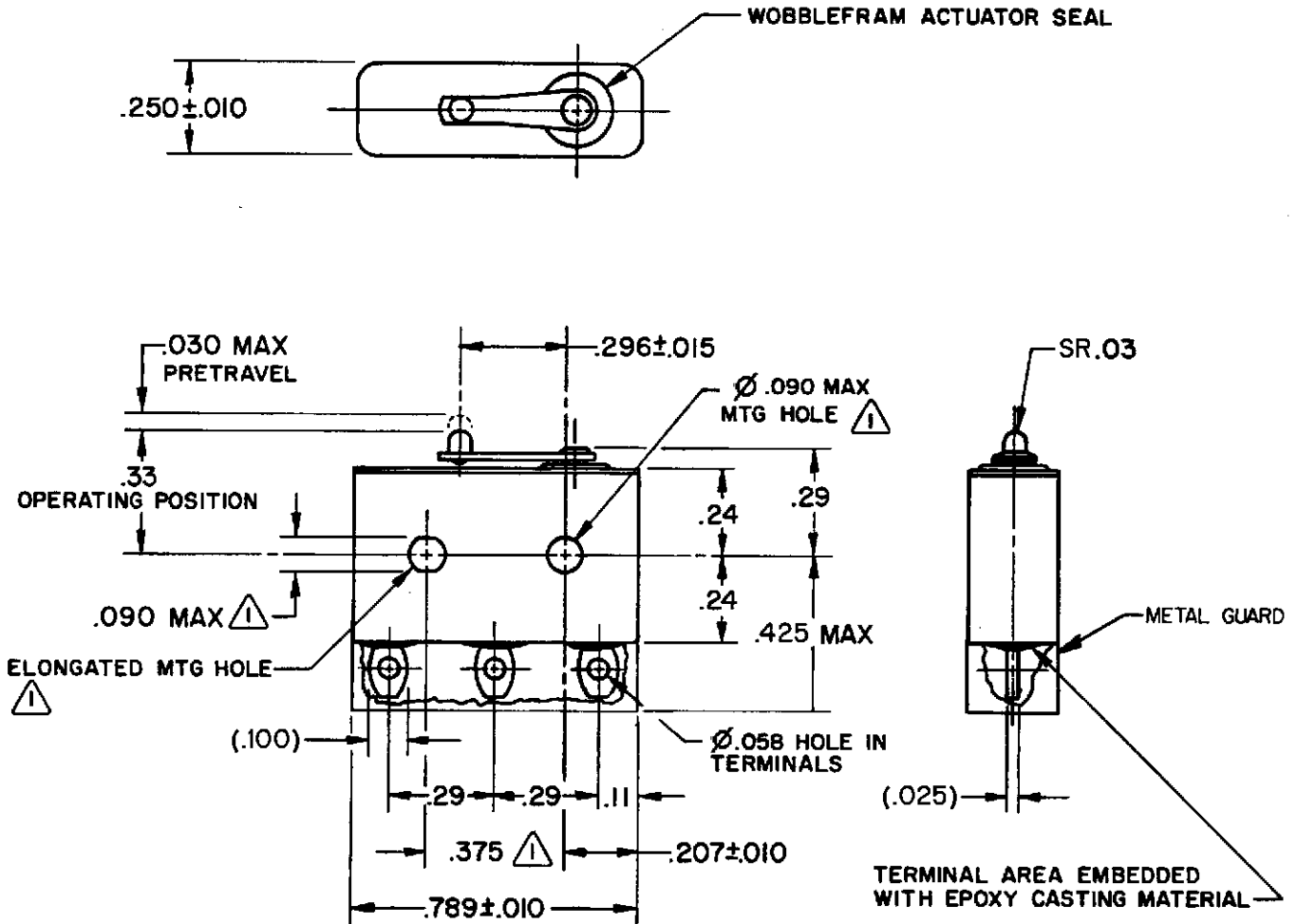
CHECK

CHECK

6 NOV 97

FORMTEK

DRAWN



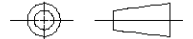
NOTES

- 1 MOUNTING HOLES WILL ACCEPT PINS OR SCREWS OF Ø .087 MAX ON .375 ± .002 CENTERS
- 2 - FOR USE IN TEMPERATURE RANGE -300°F TO +250°F
- 3 - HERMETICALLY SEALED (METAL-TO-METAL, GLASS-TO-METAL)
- 4 - ALL EXPOSED PARTS ARE OF CORROSION RESISTANT MATERIALS
- 5 - TERMINALS ARE TINNED FOR SOLDERING
- 6 - DO NOT APPLY MORE THAN 1 1/2 INCH-LBS OF TORQUE WHEN TIGHTENING MOUNTING SCREWS
- 7 - SWITCH WILL REMAIN FUNCTIONAL AFTER BEING SUBJECTED TO THE SHOCK OF MIL-S-901 GRADE A, SUB-ASSEMBLY, CLASS I, LIGHTWEIGHT TYPE C

ANSI Y14.5M-1982 APPLIES

THIS DRAWING COVERS A PROPRIETARY ITEM AND IS THE PROPERTY OF MICRO SWITCH, A DIVISION OF HONEYWELL. THIS DRAWING IS NOT TO BE COPIED OR USED WITHOUT THE APPROVAL OF MICRO SWITCH.

THIRD ANGLE PROJECTION



CHARACTERISTICS

OPERATING FORCE ----- 7 OZ MAX

RELEASE FORCE ----- 1 OZ MIN

DIFFERENTIAL TRAVEL ----- .003 MAX

OVERTRAVEL ----- .003 MIN

ELECTRICAL DATA

CONTACT ARRANGEMENT
S P D T

SCALE **2:1**

DO NOT SCALE PRINT

UNLESS OTHERWISE SPECIFIED TOLERANCES ARE

ONE PLACE (.0) ± .030

TWO PLACE (.00) ± .015

THREE PLACE (.000) ± .005

ANGLES ±

WEIGHT **.014 LB MAX**