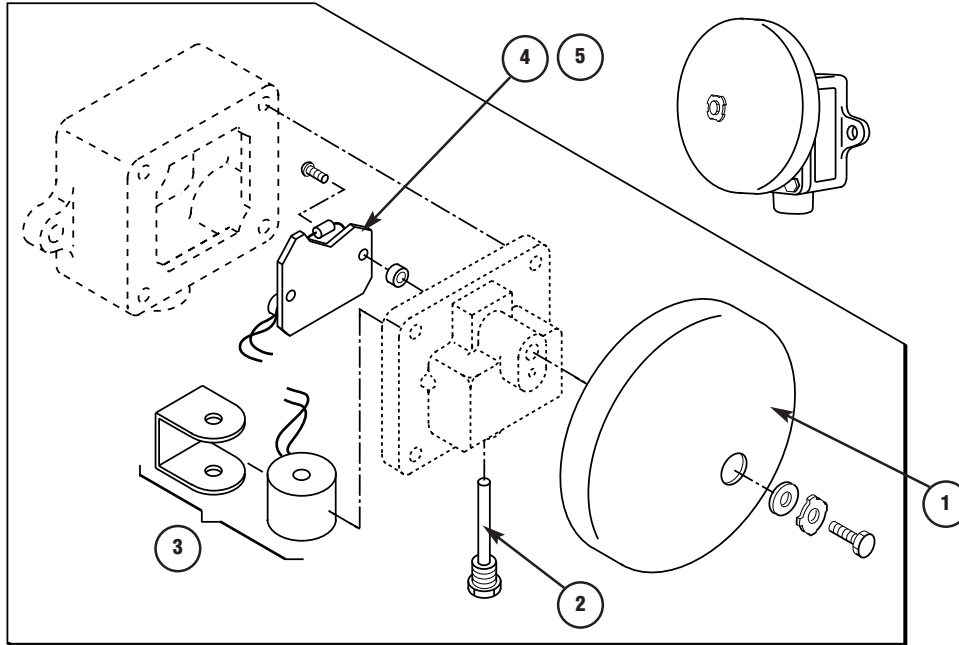


COOPER CROUSE-HINDS® REPLACEMENT PARTS



**ESR BELL SIGNALS - MODELS M2 & M3
REPLACEMENT PARTS**



ITEM	DESCRIPTION	USED ON	PART NO.
1	GONG ONLY FOR VIBRATING HAMMER (INCLUDES HARDWARE)	6" DIAMETER	ESR:10646B
	AND SINGLE STROKE HAMMER AC / DC	10" DIAMETER	ESR:5786L
2	PLUNGER AND TUBE ASSEMBLY (INCLUDES PLUNGER, TUBE, ROD, AND SPRING)	SINGLE STROKE HAMMER, AC	ESR:18953A
		SINGLE STROKE HAMMER, DC	ESR:18951A
		VIBRATING HAMMER, AC / DC	ESR:18952A
3	COIL ASSEMBLY FOR VIBRATING HAMMER AND SINGLE STROKE HAMMER, AC / DC	12 VOLTS	ESR: KIT13-12
		24 VOLTS	ESR: KIT13-24
		48 VOLTS	ESR: KIT13-48
		115 VOLTS	ESR: KIT13-115
		230 VOLTS	ESR: KIT13-230
4	RELAY ASSEMBLY FOR VIBRATING HAMMER, DC (INCLUDES RELAY, CAPACITOR, RESISTOR, HARDWARE)	12 VDC	ESR:15335N
		24 VDC	ESR:15334N
		48 VDC	ESR:15333N
		115 VDC	ESR:15332N
5	TERMINAL PLATE ASSEMBLY, AC (FIRE ALARM USE)	12 VAC, 24 VAC, 48 VAC	ESR-K1
		115 VAC, 230 VAC	ESR-K2