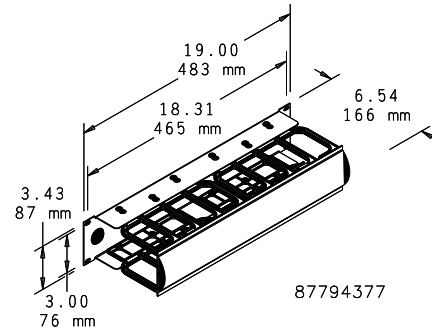


Horizontal Cable Manager

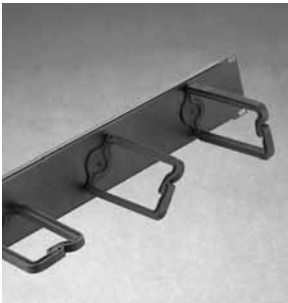


Mounts horizontally on 19 in. racks. Provides protection and separation for cables when mounted on two- or four-post open frame racks. Frame made of steel finished with RAL 9005 black polyester powder paint; fingers made of black plastic. Includes cover to protect cable and provide finished appearance. Mounting hardware included.

Catalog Number	Description	Rack Units
ECM19F2U	Horizontal 19 in. Cable Manager with Cover	2

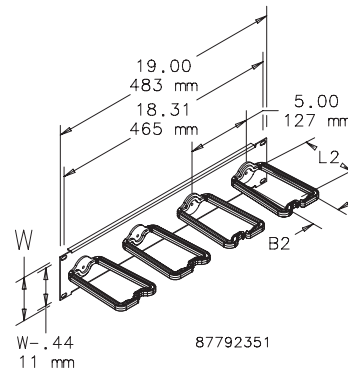


D-Ring Assembly

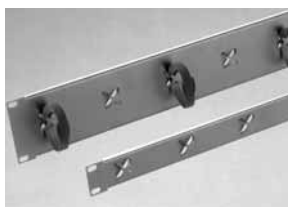


Mounts horizontally on 19-in. racks. Allows grouping vertical cable runs. D-rings rotate on bracket for easy cable positioning; snap open for easy access for cable updates, yet latch securely. Back plate made of steel with RAL 9005 black polyester powder paint finish; D-Rings are black plastic. Mounting hardware included.

Catalog Number	Description	B2 in. mm	L2 in. mm	W in. mm	Rack Units
ECM19DR1U	19 in. D-Ring Assembly	1.22 31	2.88 73	1.75 44	1
ECM19CVB2U	19 in. D-Ring Assembly	2.22 56	4.42 112	3.50 89	2

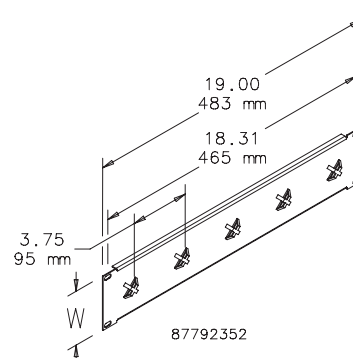


Tie-Down Panel



Tie-Down Panels mount horizontally on 19-in. racks. Steel panels with RAL 9005 black polyester powder paint finish have slots for Velcro™ cable wraps. Each panel includes 10 Velcro™ cable wraps. Mounting hardware included.

Catalog Number	Description	W in. mm	Rack Units
ECM19TP1U	19 in. Tie-Down Panel	1.75 44	1
ECM19TP2U	19 in. Tie-Down Panel	3.50 89	2



Velcro™ is a trademark of Velcro Industries B.V.