

FEATURES	SPECIFICATIONS	CURRENT RATINGS								
		No. of Poles	Catalog Number	Type of Operation	28VDC			115VAC 60 or 400Hz		
					Lamp Load	Resistive Load	Inductive Load	Lamp Load	Resistive Load	Inductive Load
<ul style="list-style-type: none"> <li>Environmentally sealed</li> <li>1, 2 and 4 pole Circuitry</li> <li>One hole mounting for easy installation</li> <li>Multi-circuits</li> <li>2 &amp; 3 position with maintained and momentary action</li> <li>Three types of termination offered as standard</li> </ul>	<ul style="list-style-type: none"> <li>Watertight seal per MIL-STD-108E and designed to meet IP68</li> <li>UL recognized and CSA certified</li> <li>Three standard types of terminals screw 6-32 UNC-2A solder lug .125 [3,17] dia. hole spade .250 [6,35] x .032 [0,81] thick</li> <li>Life: 50,000 operations at rated load. 100,000 operations mechanical life.</li> <li>Temperature Range: -50°F to +150°F (-46°C to +66°C)</li> </ul>	1	8530	Maintained Momentary	5 4	20 15	15 10	3 2	15 15	10 7
		2	8531	Maintained Momentary	7 5	20 18	15 10	4 2	15 11	15 8
		4	8532	Maintained Momentary	5 4	20 18	12 10	4 2	15 11	15 8

For the UL/CSA ratings see page 72.

**STANDARD LEVER SELECTION TABLE**

CIRCUIT WITH LEVER IN...			CATALOG NUMBER		
Up Position	Center Position	Down Position (Keyway)	Screw Terminals	Solder Lug Terminals	Spade Terminals
<b>ONE POLE</b>					
ON	OFF	ON	8530K1	8530K91	8530K31
ON	NONE	OFF	K9	K99	K39
ON	NONE	ON	K4	K94	K34
ON	OFF	NONE	K6	K96	K36
ON	OFF*	NONE	K8	K98	K38
ON	NONE	ON*	8530K5	8530K95	8530K35
* ON	OFF	ON*	K2	K92	K32
NONE	OFF	ON*	K7	K97	K37
ON	NONE	OFF	K10	K910	K310
OFF	NONE	ON*	K11	K911	K311
ON	OFF	ON*	8530K3	8530K93	8530K33
* ON	ON	NONE	K12	K912	K312
ON	ON	NONE	K13	K913	K313
<b>TWO POLE</b>					
ON	OFF	ON	8531K1	8531K91	8531K31
ON	NONE	OFF	K9	K99	K39
ON	NONE	ON	K4	K94	K34
ON	OFF	NONE	K6	K96	K36
ON	OFF*	NONE	K8	K98	K38
ON	NONE	ON*	8531K5	8531K95	8531K35
* ON	OFF	ON*	K2	K92	K32
NONE	OFF	ON*	K7	K97	K37
ON	NONE	OFF*	K10	K910	K310
OFF	NONE	ON*	K11	K911	K311
ON	OFF	ON*	8531K3	8531K93	8531K33
* ON	ON	NONE	K12	K912	K312
ON	ON	NONE	K13	K913	K313
ON	ON	ON	K14	K914	K314
ON	ON	ON*	K15	K915	K315
* ON	ON	ON*	8531K16	8531K916	8531K316
ON	ON	ON	K17	K917	K317
ON	ON	ON*	K18	K918	K318
* ON	ON	ON*	K19	K919	K319
<b>FOUR POLE</b>					
ON	OFF	ON	8532K1	8532K91	8532K31
ON	NONE	OFF	K9	K99	K39
ON	NONE	ON	K4	K94	K34
ON	OFF	NONE	K6	K96	K36
ON	OFF*	NONE	K8	K98	K38
ON	NONE	ON	8532K5	8532K95	8532K35
* ON	OFF	ON*	K2	K92	K32
NONE	OFF	ON*	K7	K97	K37
ON	NONE	OFF*	K10	K910	K310
OFF	NONE	ON*	K11	K911	K311
ON	OFF	ON*	8532K3	8532K93	8532K33
* ON	ON	NONE	K12	K912	K312
ON	ON	NONE	K13	K913	K313
ON	ON	ON	K15	K915	K315
ON	ON	ON*	K16	K916	K316
* ON	ON	ON*	K17	K917	K317

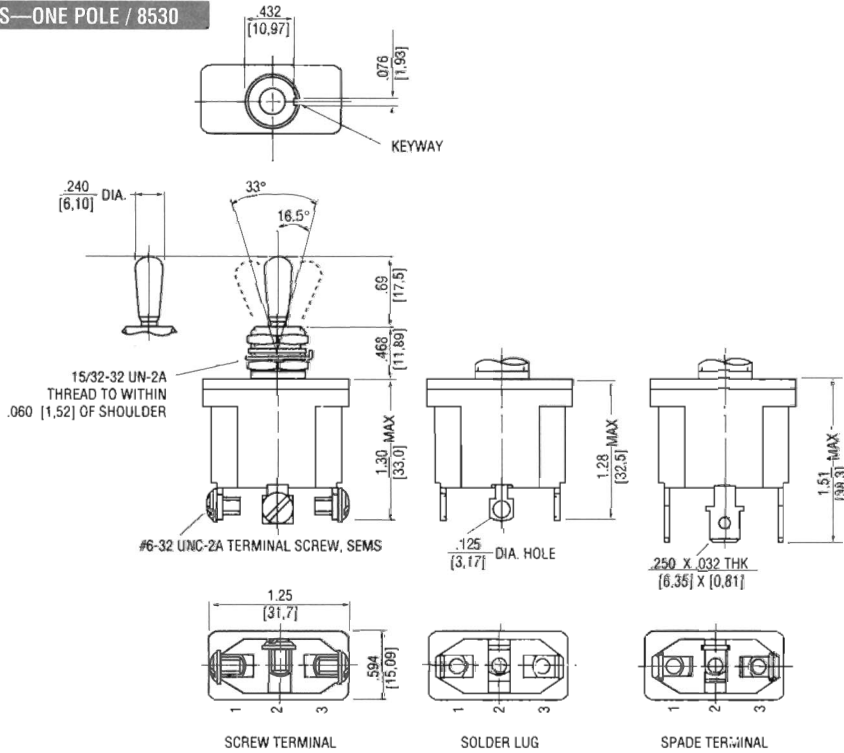
\* Momentary contact.  
See Page 73 for circuit diagrams.

# ECONOSWITCH—ENVIRONMENTALLY SEALED SWITCHES

## Series—8530, 8531, 8532

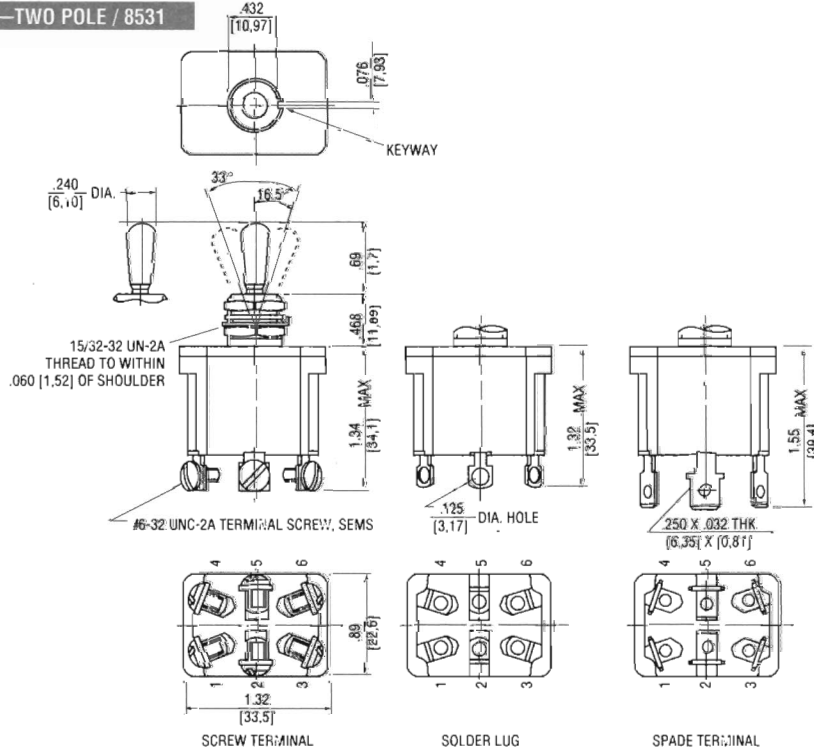
## Econoswitch Sealed Toggle Switches

### MOUNTING DIMENSIONS—ONE POLE / 8530



Terminal Identification

### MOUNTING DIMENSIONS—TWO POLE / 8531



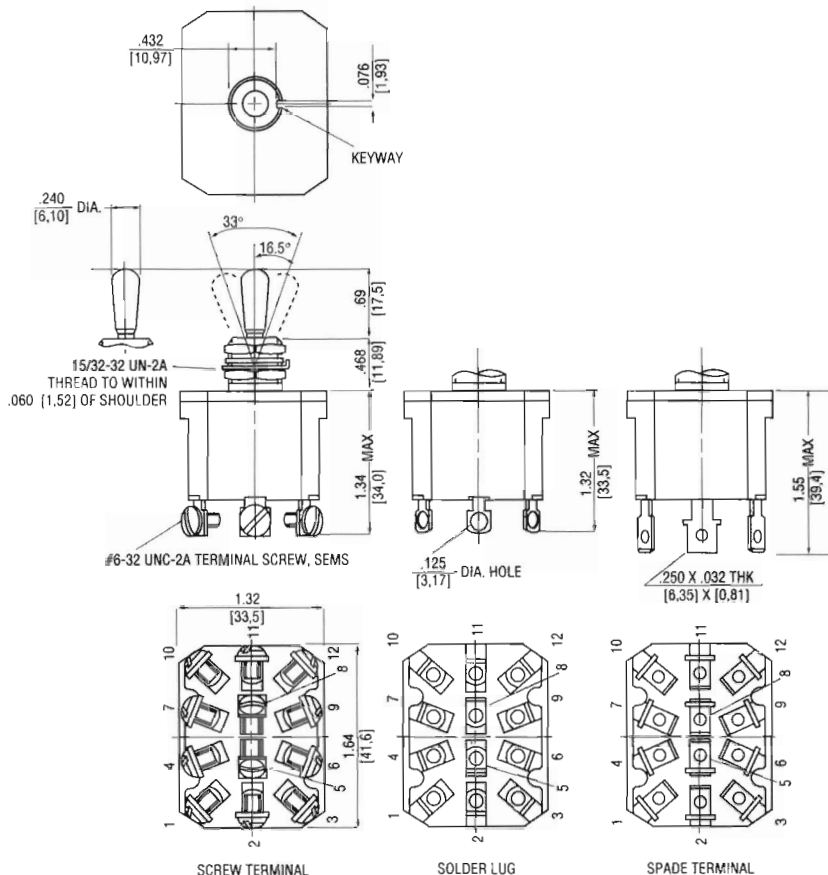
Terminal Identification

**STANDARD**  
0.00 = inches  
[0,0] = mm

Mounting dimensions for reference only.

Non-functional terminals not supplied.

MOUNTING DIMENSIONS—FOUR POLE / 8532



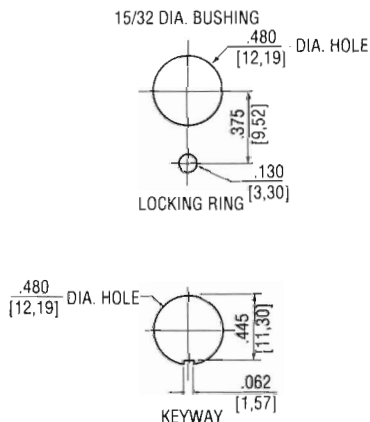
Terminal Identification

Non-functional terminals not supplied.

OPTIONS/ACCESSORIES

- Special mounting hardware
- Mounting hardware furnished assembled
- Terminal screws furnished assembled
- Special circuits
- Panel seal, Part number 32-341
- Custom wire harnesses
- Mating connector available for two poles with spade terminal
- External jumpers available
  - bussing jumper
  - reversing jumpers

PANEL CUTOUT DIMENSIONS



**STANDARD**  
0.00 = inches  
[0,0] = mm

Mounting dimensions for reference only.