

## DuraPort® Industrial Patch Cords

### APPLICATION

DuraPort industrial products provide IP67-class protection to safeguard your connectivity from humidity/moisture, corrosive materials, temperature extremes, and other conditions often found in the industrial environment.



### SPECIFICATION

Industrial Plug-to-Industrial Plug and Industrial Plug-to-RJ-45 Plug patch cords shall be IP67 rated. The patch cords shall be stranded tinned UTP, with an 8-position modular plug on each end. The cords shall be available in lengths of 3, 5, 7, 10, 15, and 20 feet. The cords shall be compliant with ANSI/TIA-1005 and ANSI/TIA-568. All plastics used in construction of the connector bodies shall be fire retardant with a UL flammability rating of 94V-0.

### WARRANTY INFORMATION

For a copy of Leviton product warranties, visit [www.leviton.com/warranty](http://www.leviton.com/warranty).

### COUNTRY OF ORIGIN

Taiwan

### FEATURES

- IP67-rated Environmental Sealing (dust/water protection)
- Patch cords available in Industrial Plug-to-Industrial Plug and Industrial Plug-to-RJ-45 Plug
- Available in six standard lengths (custom lengths available)
- Industrial Plug o-ring and gasket provides dual seal feature
- Twist-lock design for faster installation and changes
- Encapsulated RJ-45 design protects integral components
- Sealing nut provides strain relief and seal to prevent contamination from liquids and dust
- Patented design
- Cat 6 cable

### DESIGN CONSIDERATIONS

- ANSI/TIA channel performance limits the total length of work area and equipment room cords to 32 feet (ten meters) per ANSI/TIA-568-C or 88.6 feet (27 meters) in a MUTOA application
- Designed for use with DuraPort Industrial Connector Housings to provide IP67 protection against dust and water

### STANDARDS COMPLIANCE

Complies with ANSI/TIA-1005 and ANSI/TIA-568. cULus Listed (UL 1863, CAN/CSA-C22.2 No. 182.4-1990).

### PHYSICAL SPECIFICATIONS

<b>Ingress Protection:</b>	IP67 (dust/water)
<b>Corrosion:</b>	Resistant to most common chemicals, oils, and cleaning agents
<b>Temperature:</b>	-40° C to 65° C (-40° F to 149° F)
<b>Vibration:</b>	Frequency Range 10-500HZ Acceleration 5g (operational) Mating Cycles: 750 minimum
<b>Materials:</b>	
Plug Housing	Polybutylene terephthalate (PBT), UL 94V-0
Cable Outer Jacket	Thermoplastic Elastomer
Gasket and O-Ring	Thermoplastic Elastomer
Connector Boot	Thermoplastic Elastomer

D6720-xxE, D6721-xxE

#### Leviton Network Solutions

2222 - 222nd St. SE  
Bothell, WA 98021-4416

tel 1-800-824-3005  
tel +1-425-486-2222  
appeng@leviton.com  
[www.leviton.com](http://www.leviton.com)

#### Asia / Pacific

T +1.631.812.6228  
E infoasean@leviton.com

#### Europe

T +33.6.8869.1380  
E infoeurope@leviton.com

#### Canada

T +1.514.954.1840  
E pcservice@leviton.com

#### India / SAARC

T +971.4.886.4722  
E infoindia@leviton.com

#### Caribbean

T +1.954.593.1896  
E infocaribbean@leviton.com

#### Mexico

T +52.55.5082.1040  
E lsamarketing@leviton.com

#### China

T +852.2774.9876  
E infochina@leviton.com

#### Middle East & Africa

T +971.4.886.4722  
E lmeinfo@leviton.com

#### Colombia

T +57.1.743.6045  
E infocolombia@leviton.com

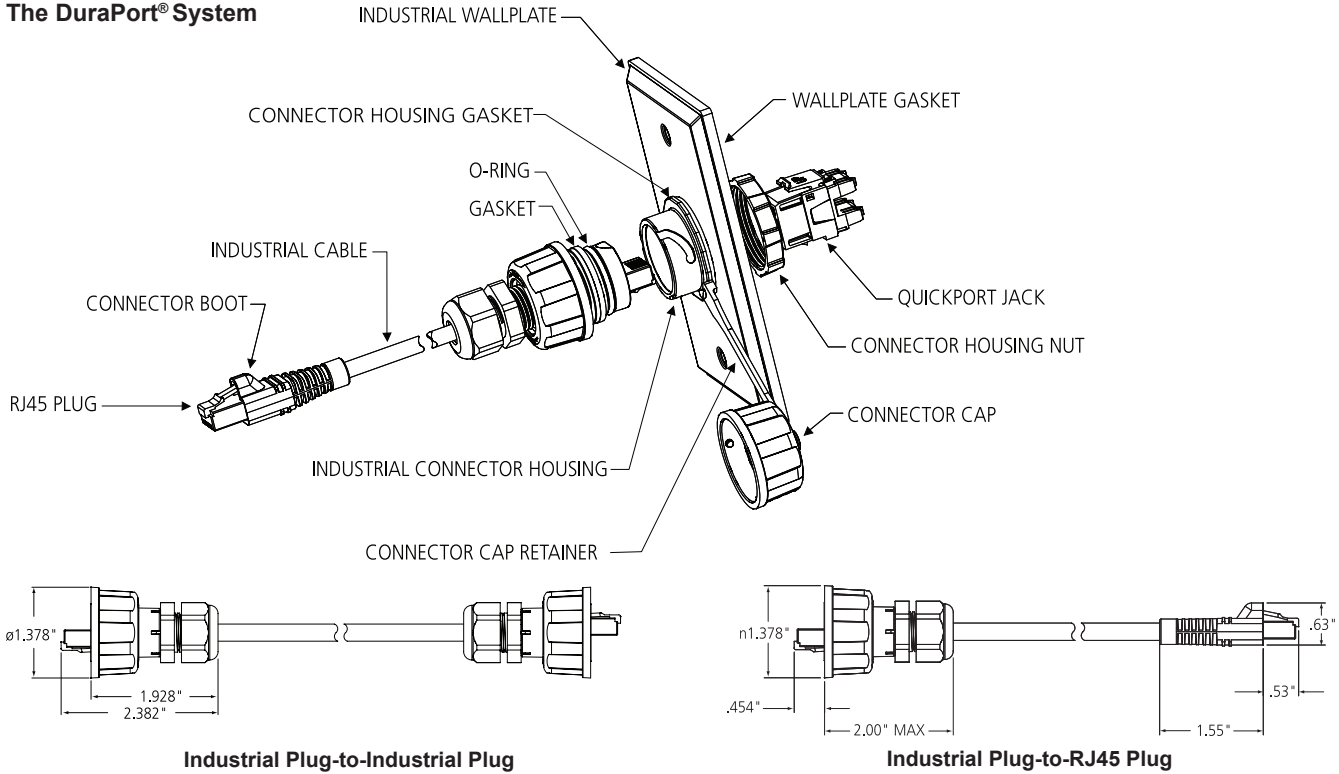
#### South Korea

T +82.2.3273.9963  
E infokorea@leviton.com

**ELECTRONIC FILES**

For CAD files, typical specs, or technical drawings (.DXF, .DWG), visit [www.leviton.com](http://www.leviton.com).

**The DuraPort® System**



**D6720-xxE, D6721-xxE**

**PART NUMBERS**

Description	Part No.
DuraPort Industrial Plug-to-Industrial Plug Patch Cords, 3 feet	D6720-03E
DuraPort Industrial Plug-to-Industrial Plug Patch Cords, 5 feet	D6720-05E
DuraPort Industrial Plug-to-Industrial Plug Patch Cords, 7 feet	D6720-07E
DuraPort Industrial Plug-to-Industrial Plug Patch Cords, 10 feet	D6720-10E
DuraPort Industrial Plug-to-Industrial Plug Patch Cords, 15 feet	D6720-15E
DuraPort Industrial Plug-to-Industrial Plug Patch Cords, 20 feet	D6720-20E
DuraPort Industrial Plug-to-RJ-45 Plug Patch Cords, 3 feet	D6721-03E
DuraPort Industrial Plug-to-RJ-45 Plug Patch Cords, 5 feet	D6721-05E
DuraPort Industrial Plug-to-RJ-45 Plug Patch Cords, 7 feet	D6721-07E
DuraPort Industrial Plug-to-RJ-45 Plug Patch Cords, 10 feet	D6721-10E
DuraPort Industrial Plug-to-RJ-45 Plug Patch Cords, 15 feet	D6721-15E
DuraPort Industrial Plug-to-RJ-45 Plug Patch Cords, 20 feet	D6721-20E



**Leviton Network Solutions**  
 2222 - 222nd St. SE  
 Bothell, WA 98021-4416

**Asia / Pacific**  
 T +1.631.812.6228  
 E [infoasean@leviton.com](mailto:infoasean@leviton.com)

**Canada**  
 T +1.514.954.1840  
 E [pcservice@leviton.com](mailto:pcservice@leviton.com)

**Caribbean**  
 T +1.954.593.1896  
 E [infocaribbean@leviton.com](mailto:infocaribbean@leviton.com)

**China**  
 T +852.2774.9876  
 E [infochina@leviton.com](mailto:infochina@leviton.com)

**Colombia**  
 T +57.1.743.6045  
 E [infocolombia@leviton.com](mailto:infocolombia@leviton.com)

tel 1-800-824-3005  
 tel +1-425-486-2222  
[appeng@leviton.com](mailto:appeng@leviton.com)  
[www.leviton.com](http://www.leviton.com)

**Europe**  
 T +33.6.8869.1380  
 E [infoeurope@leviton.com](mailto:infoeurope@leviton.com)

**India / SAARC**  
 T +971.4.886.4722  
 E [infoindia@leviton.com](mailto:infoindia@leviton.com)

**Mexico**  
 T +52.55.5082.1040  
 E [lsamarketing@leviton.com](mailto:lsamarketing@leviton.com)

**Middle East & Africa**  
 T +971.4.886.4722  
 E [lmeinfo@leviton.com](mailto:lmeinfo@leviton.com)

**South Korea**  
 T +82.2.3273.9963  
 E [infokorea@leviton.com](mailto:infokorea@leviton.com)