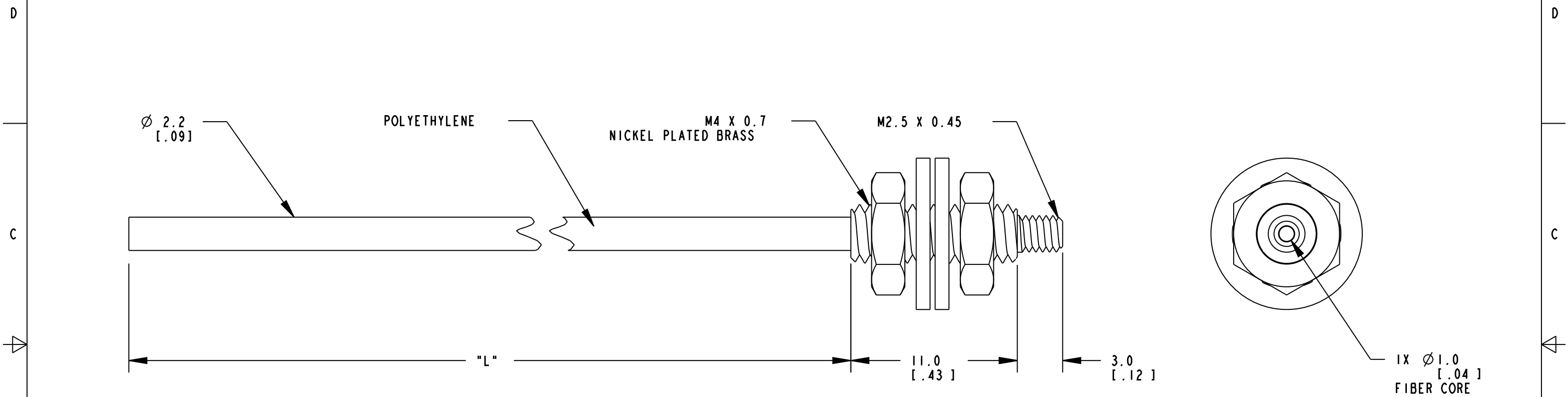


8 | 7 | 6 | 5 | 4 | 3 | 2 | 1

REVISION HISTORY			
REV	DESCRIPTION	DATE	APPROVED



MODEL NO.	"L"	P/N
PIT417U	5182 [204]	00000
PIT433U	10058 [396]	70777
PIT48U	2438 [96]	00000
PIT43U	1000 [39]	48006
PIT4100U	30480 [1200]	70778
PIT41.35UMKS	396 ±1.3 [15.6 ±.05]	00000
PIT475U	22860 [900]	40400
PIT460U	18288 [720]	27280
PIT430U	9144 [360]	27149
PIT420U	6096 [240]	27555
PIT415U	4572 [180]	27148
PIT410U	3048 [120]	27556
PIT46U	2000 [79]	26034

B RE-DRAWN IN SOLIDWORKS 4-26-02 G. GIBBONS
 A SMALL THREAD WAS LISTED AS M2 X 0.45 8-23-95 GRK

REV.	DESCRIPTION	DATE	INITIAL
	Dimensions are Millimeters [inches] TOLERANCES (Unless Otherwise Specified) X = ±2.5mm X.X = ±0.25 X.XX = ±0.12mm [X.X = ±.1"] [X.XX = ±.01"] [X.XXX = ±.005"] ANGLE = ±3° *L = 40mm/Meter [1.5"/Foot]		
		BANNER ENGINEERING Corp. 9717 10th Ave. North Minneapolis, MN 55441 Tel # 763-544-3164 Fax # 763-544-3573 www.bannerengineering.com	
This drawing is the property of BANNER ENGINEERING Corp. and is proprietary in general and in detail. Its contents shall not be revealed to outside parties without the written consent of BANNER.			
PIT46U		PLASTIC FIBEROPTIC ASSEMBLY & MOD'S	
4-8-89	I OF I	26034	B

8 | 7 | 6 | 5 | 4 | 3 | 2 | 1