

iVu Series Lens Kits



For use with iVu Series Image Sensors

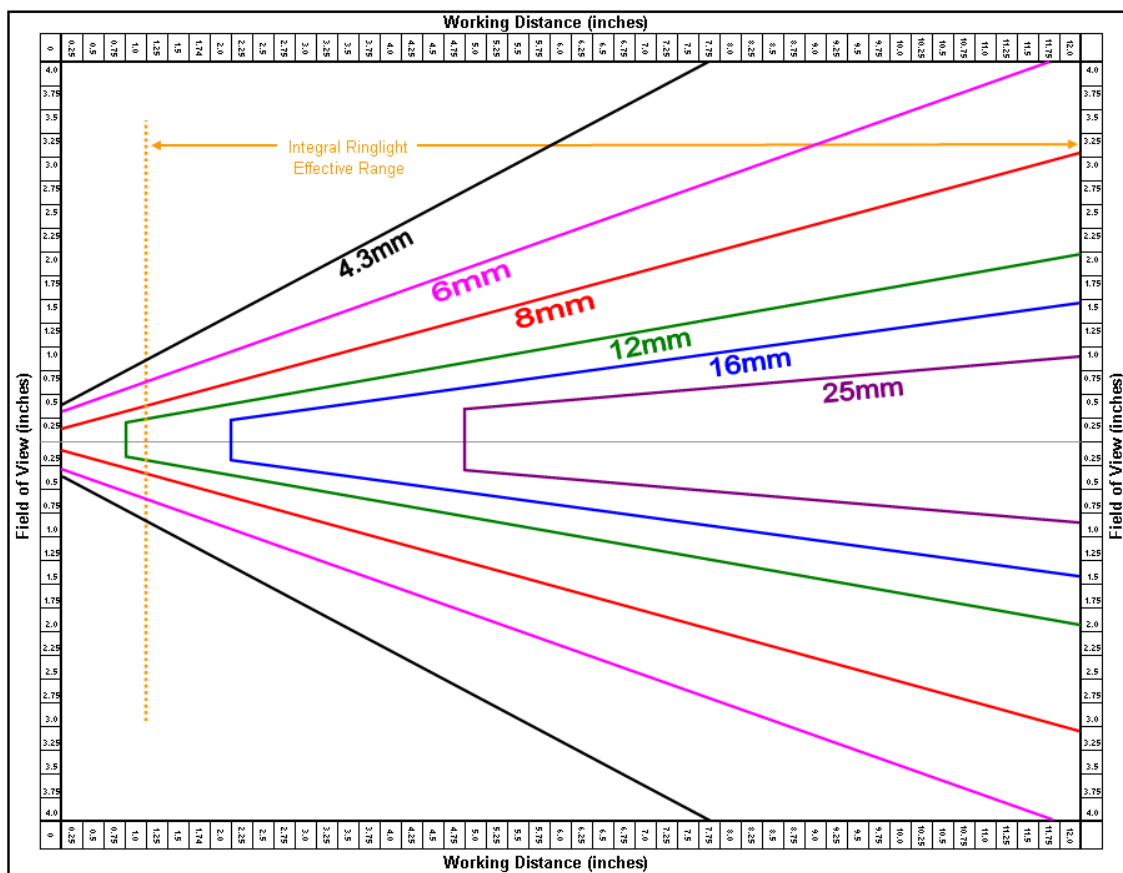
This document describes how to install lenses in the iVu Series sensor.

Models

Micro Lens Models

Model	Lens Description
LMF04	4.3 mm lens
LMF06	6 mm lens
LMF08	8 mm lens
LMF12	12 mm lens
LMF16	16 mm lens
LMF25	25 mm lens

iVu Lens Chart



jjk



C-Mount Lens Models

Model	Lens Description
LCF04	4 mm Lens - no threads for filter
LCF08	8 mm Lens - no threads for filter
LCF12	12 mm Lens - no threads for filter
LCF16	16 mm Lens, aperture lock - no threads for filter
LCF25R	25mm lens
LCF25LR	25mm lens with focus locking
LCF50L1R	50mm lens with focus locking, plastic
LCF50L2R	50mm lens with focus locking, metal (will not fit ring)
LCF75LR	75mm lens with focus locking, metal (will not fit ring)

Installing a Lens or Filter on iVu Series Sensors

Installing a Lens or Filter on the Micro Lens Model

To install a lens on the iVu Series sensor or to install a filter on the iVu Series sensor with Micro Lens, use the illustration as a guide and follow the steps listed below.



CAUTION: Failure to follow these instructions can cause damage to your iVu Series sensor.

Micro Lens Models		
	A	Lens
	B	Focusing Window
	C	Locking Clip
	D	Locking Screw
	E	Filter Cap (optional)
	F	Filter (optional)

1. Use the 1/16" hex key to remove the Focusing Window locking screw (D).



Attention: The Locking Clip (C) inserts in a groove near the top of the Focusing Window (B). When removing the window, the Locking Clip will be loose. Be careful not to lose the clip while removing the window.

2. Unscrew the Focusing Window by turning it clockwise approximately 5 complete turns or until the Focusing Window disengages from the light/lens assembly.



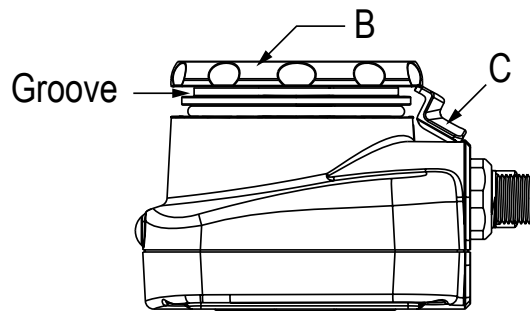
Attention: The light/lens assembly may include an integrated ring light or a blank disk if an integrated ring light is not used. Be careful that the light/lens assembly does not pull out when removing the Focusing Window. Give a slight tug on the Focusing Window when you think you've unscrewed it far enough. If the lens assembly moves with the window, continue to rotate the window clockwise until the lens assembly does not move.

3. Set the Focusing Window aside. Be careful not to get any debris on the window's O-ring.
4. Unthread the existing lens and remove from the light/lens assembly.
5. Thread the new lens onto the light/lens assembly.



Attention: Avoid getting fingerprints on the lens. If necessary, carefully clean the lens with an appropriate lens cleaner.

6. After the lens is installed, place the Focusing Window back into the housing while inserting the Locking Clip into the groove as shown below.



7. Press the Focusing Window onto the housing to make sure that it seats correctly (that is, there is no gap between the window and housing). Rotate the window counter-clockwise at least two turns.
8. Replace the locking tab screw but do not tighten until you have set up and focused the sensor again.

Installing a Lens or Filter on the C-Mount Lens Model

To install a filter or lens on the iVu Series sensor with C-Mount Lens, use the illustration as a guide and follow the steps listed below.



CAUTION: Failure to follow these instructions can cause damage to your iVu Series sensor.

C-Mount Lens Models		
	A	C-Mount Lens
	B	Lens Enclosure
	C	Retainer Ring (optional)
	D	Filter (optional)
	E	Filter Retainer Ring Tool
<p>NOTE: Filter Kits are available separately.</p>		

1. Remove the Lens Enclosure and Lens.
2. Install filter behind the retainer ring. Make sure it is fully seated.
3. Using the provided retainer ring tool, thread the retainer ring into the sensor until it firmly seats the filter.
4. Replace the Lens and Lens Enclosure on the camera.



CAUTION: Avoid the damage that electrostatic discharge (ESD) can cause to the sensor. Always use a proven method for preventing electrostatic discharge when installing a lens or attaching a cable.

Banner Engineering Corp Limited Warranty

Banner Engineering Corp. warrants its products to be free from defects in material and workmanship for one year following the date of shipment. Banner Engineering Corp. will repair or replace, free of charge, any product of its manufacture which, at the time it is returned to the factory, is found to have been defective during the warranty period. This warranty does not cover damage or liability for misuse, abuse, or the improper application or installation of the Banner product.

THIS LIMITED WARRANTY IS EXCLUSIVE AND IN LIEU OF ALL OTHER WARRANTIES WHETHER EXPRESS OR IMPLIED (INCLUDING, WITHOUT LIMITATION, ANY WARRANTY OF MERCHANTABILITY OR FITNESS FOR A PARTICULAR PURPOSE), AND WHETHER ARISING UNDER COURSE OF PERFORMANCE, COURSE OF DEALING OR TRADE USAGE.

This Warranty is exclusive and limited to repair or, at the discretion of Banner Engineering Corp., replacement. **IN NO EVENT SHALL BANNER ENGINEERING CORP. BE LIABLE TO BUYER OR ANY OTHER PERSON OR ENTITY FOR ANY EXTRA COSTS, EXPENSES, LOSSES, LOSS OF PROFITS, OR ANY INCIDENTAL, CONSEQUENTIAL OR SPECIAL DAMAGES RESULTING FROM ANY PRODUCT DEFECT OR FROM THE USE OR INABILITY TO USE THE PRODUCT, WHETHER ARISING IN CONTRACT OR WARRANTY, STATUTE, TORT, STRICT LIABILITY, NEGLIGENCE, OR OTHERWISE.**

Banner Engineering Corp. reserves the right to change, modify or improve the design of the product without assuming any obligations or liabilities relating to any product previously manufactured by Banner Engineering Corp.