

Twist & Mount Patch Panels 12-Port and 24-Port Configurations

APPLICATION

Twist & Mount Patch Panels are designed for use in any Leviton Structured Media® enclosure to support a variety of telephone and data distribution needs. These panels hold patching modules, which allow 12 or 24 ports of patching capability to Cat 5e or Cat 6 cabling. The Cat 5e ports meet the requirements of high-speed data applications, and the Cat 6 ports are designed for use in high megabit applications such as Gigabit Ethernet.



Part No. 476TM-624

SPECIFICATION

The Twist & Mount Patch Panels shall meet all applicable standards: cULus Listed; ANSI/TIA-568.2-D, and ANSI/TIA-1096-A compliant. Units shall include a black plastic mounting bracket and patching modules, which allow 12 or 24 ports of patching capability to Cat 5e or Cat 6 cabling. Panels shall have universal T568A and T568B wiring cards for terminations. The bracket shall be made of fire-retardant ABS plastic, with a UL flammability rating of 94V-0 and shall have four category rating labels. The panel shall be offered in six configurations according to 12-port or 24-port applications. The 12-port configurations shall consist of 12 ports of Cat 5e, 12 ports of Cat 6, or a combination of 6 ports each of Cat 5e and Cat 6. The 24-port configurations shall consist of 24 ports of Cat 5e, 24 ports of Cat 6, or a combination of 12 ports each of Cat 5e and Cat 6. Panels shall fit into any Leviton Structured Media enclosure.

COUNTRY OF ORIGIN

USA

Page 1 of 2

FEATURES

- Commercial-grade telephone and data patching
- Component-rated Cat 5e and Cat 6 ports
- Connectors include Leviton patented Retention Force Technology™
- Compact design
- Meets ANSI/TIA-570-D bend radius requirements
- Universal T568A and T568B wiring labels
- IDC termination with Universal 568A and 568B wiring cards
- Will exceed IEEE 802.3bt standard up to 0.5 amps per conductor (100 watts) continuously

DESIGN CONSIDERATIONS

- Includes port designation strips
- Fits easily into any Leviton Structured Media enclosure
- Black plastic mounting bracket
- Includes plastic punch-down tool
- Future expansion on 12-port panels with expansion boards

STANDARDS COMPLIANCE

- Cat 6 components meet or exceed the Category 6/Class E requirements for channel/component level performance per ANSI/TIA-568.2-D and ISO/IEC 11801-1
- Cat 5e components meet or exceed the Category 5e/Class D requirements for channel/component level performance per ANSI/TIA-568.2-D and ISO/IEC 11801-1
- IEEE 802.3bt PoE: Type 1 (15.4 W) formerly 802.3af, Type 2 (30 W) formerly 802.3at, Type 3 (60 W), Type 4 (90 W)
- cULus Listed
- ANSI/TIA-1096-A
- RoHS compliant

PHYSICAL SPECIFICATIONS

Dimensions: See page two

Materials: Bracket, ABS plastic, rated per UL 94V-0

WARRANTY INFORMATION

For a copy of Leviton product warranties, visit Leviton.com/warranty.

Leviton Network Solutions

2222 - 222nd St. SE
Bothell, WA 98021-4416

tel 1-800-824-3005
tel +1-425-486-2222
appeng@leviton.com
www.leviton.com

Asia / Pacific
T +1.631.812.6228
E infoasean@leviton.com

Europe
T +44.0.1592.772124
E customerserviceeu@leviton.com

Canada
T +1.514.954.1840
E pccservice@leviton.com

Mexico
T +52.55.5082.1040
E lsamarketing@leviton.com

Caribbean
T +1.954.593.1896
E infocaribbean@leviton.com

Middle East & Africa
T +971.4.247.9800
E imeinfo@leviton.com

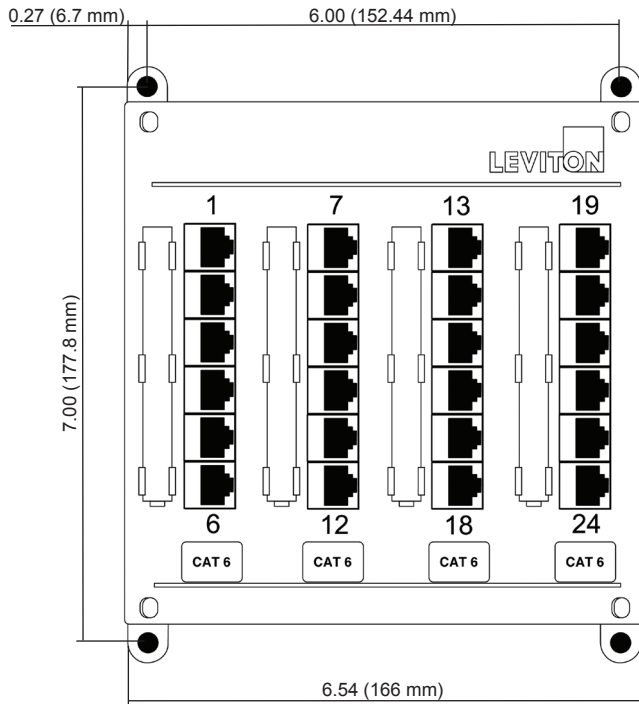
China
T +852.2774.9876
E infochina@leviton.com

South Korea
T +82.2.3273.9963
E infokorea@leviton.com

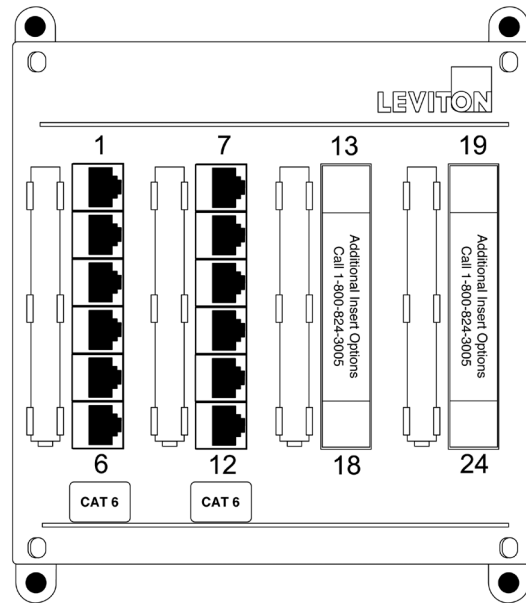
Colombia
T +57.1.743.6045
E infocolombia@leviton.com

ELECTRONIC FILES

For CAD files, typical specs, or technical drawings (.DXF, .DWG), visit www.leviton.com.



476TM-624

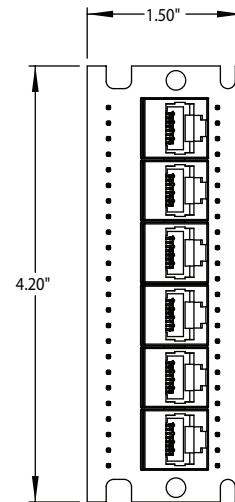


476TM-612

476TM-XXX

PART NUMBERS

Description	Part No.
Twist & Mount Patch Panel - 24 ports each of Cat 6	476TM-624
Twist & Mount Patch Panel - 24 ports each of Cat 5e	476TM-524
Twist & Mount Patch Panel - 12 ports each of Cat 5e and Cat 6	476TM-654
Twist & Mount Patch Panel - 6 ports of Cat 6 and Cat 5e	476TM-652
Twist & Mount Patch Panel - 12 ports of Cat 6	476TM-612
Twist & Mount Patch Panel - 12 ports of Cat 5e	476TM-512
Twist & Mount Expansion Board - 6 port Cat 5e	476TM-EX5
Twist & Mount Expansion Board - 6 port Cat 6	476TM-EX6



476TM-EX6

