

**SC SERIES ENCLOSURES
NEMA 1 SCREW COVER WALL-MOUNT**



SC060604
with SCF cover



SC080806G



SC080806NK

Industry Standards

- UL 50, Type 1
- CSA Certified, Type 1 (See Note)
- NEMA/EEMAC Type 1

UL Files E23553

CSA File LL66078

FEATURES-SPECIFICATIONS

Applications

Designed for use as a junction box and pull box in commercial and general industrial applications. Flush covers must be ordered separately for flush mount applications.

Construction

- Fabricated from 16, 14 and 12 gauge steel or G-90 pre-galvanized steel (reference table)
- Flat, removable covers fastened with plated steel screws

- Cover design permits easy removal without extracting cover screws
- Mounting holes on back of box
- Available with or without knockouts. Removable concentric knockouts on all four sides of standard enclosures with knockouts

Finish

- ANSI-61 gray polyester powder inside and out
- Unpainted pre-galvanized steel

Accessories

- See pages J1-J22

Optional Flush Covers

Designed to mount on enclosure for flush installations. 16 or 14 gauge steel (reference table).

- ANSI 61 gray polyester powder finish.
- Unpainted pre-galvanized steel

SC SERIES SCREW COVER PULL BOX ENCLOSURES								
CATALOG NUMBER				BODY/DOOR STEEL GAUGE	COVERS ONLY See Page A5	ENCLOSURE SIZE H+1/8", W+1/8", D+3/16"	KNOCKOUT PATTERN	
PAINTED		GALVANIZED					WIDTH SIDE	HEIGHT SIDE
W/KNOCKOUTS	W/O KNOCKOUTS	W/KNOCKOUTS	W/O KNOCKOUTS					
SC040404*	SC040404NK*	SC040404G*	SC040404GNK*	16/16	Yes	4.00x4.00x4.00 (102x102x102)	A	A
SC040604*	SC040604NK*	SC040604G*	SC040604GNK*	16/16	Yes	6.00x4.00x4.00 (152x102x102)	A	A-B-A
SC060604	SC060604NK	SC060604G	SC060604GNK	16/16	Yes	6.00x6.00x4.00 (152x152x102)	A-B-A	A-B-A
SC060804	SC060804NK	SC060804G	SC060804GNK	16/16	Yes	8.00x6.00x4.00 (203x152x102)	A-B-A	A-B-A
SC061204	SC061204NK	SC061204G	SC061204GNK	16/16	Yes	12.00x6.00x4.00 (305x152x102)	A-B-A	B-A-F-F-A-B
SC080804	SC080804NK	SC080804G	SC080804GNK	16/16	Yes	8.00x8.00x4.00 (203x203x102)	A-B-A	A-B-A
SC081004	SC081004NK	SC081004G	SC081004GNK	16/16	Yes	10.00x8.00x4.00 (254x203x102)	A-B-A	B-A-F-F-A
SC081204	SC081204NK	SC081204G	SC081204GNK	16/16	Yes	12.00x8.00x4.00 (305x203x102)	A-B-A	B-A-F-F-A-B
SC101004	SC101004NK	SC101004G	SC101004GNK	16/16	Yes	10.00x10.00x4.00 (254x254x102)	B-A-F-F-A	B-A-F-F-A
SC101204	SC101204NK	SC101204G	SC101204GNK	16/16	Yes	12.00x10.00x4.00 (305x254x102)	B-A-F-F-A	B-A-F-F-A-B
SC121204	SC121204NK	SC121204G	SC121204GNK	16/16	Yes	12.00x12.00x4.00 (305x305x102)	B-A-F-F-A-B	B-A-F-F-A-B
SC121504	SC121504NK	SC121504G	SC121504GNK	16/16	Yes	15.00x12.00x4.00 (381x305x102)	B-A-F-F-A-B	A-B-A-F-F-A-B-A

*Not UL Listed.

Continued on page A3

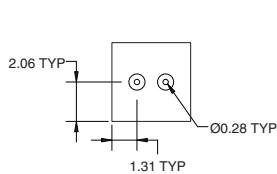
SC SERIES ENCLOSURES NEMA 1 SCREW COVER WALL-MOUNT

SC SERIES SCREW COVER PULL BOX ENCLOSURES (CONT.)								
CATALOG NUMBER				BODY/DOOR STEEL GAUGE	COVERS ONLY See Page A5	ENCLOSURE SIZE H- $\frac{1}{8}$ ", W- $\frac{1}{8}$ ", D- $\frac{3}{16}$ "	KNOCKOUT PATTERN	
PAINTED		GALVANIZED					WIDTH SIDE	HEIGHT SIDE
W/KNOCKOUTS	W/O KNOCKOUTS	W/KNOCKOUTS	W/O KNOCKOUTS					
SC121804	SC121804NK	SC121804G	SC121804GNK	16/16	Yes	18.00x12.00x4.00 (457x305x102)	B-A-F-F-A-B	A-B-A-F-F-A-B-A
SC122404	SC122404NK	SC122404G	SC122404GNK	16/16	Yes	24.00x12.00x4.00 (610x305x102)	B-A-F-F-A-B	A-B-A-F-F-A-B-A
SC151504	SC151504NK	SC151504G	SC151504GNK	16/16	Yes	15.00x15.00x4.00 (381x381x102)	A-B-A-F-F-A-B-A	A-B-A-F-F-A-B-A
SC151804	SC151804NK	SC151804G	SC151804GNK	16/16	Yes	18.00x15.00x4.00 (457x381x102)	A-B-A-F-F-A-B-A	A-B-A-F-F-A-B-A
SC181804	SC181804NK	SC181804G	SC181804GNK	16/16	Yes	18.00x18.00x4.00 (457x457x102)	A-B-A-F-F-A-B-A	A-B-A-F-F-A-B-A
SC182404	SC182404NK	SC182404G	SC182404GNK	16/16	Yes	24.00x18.00x4.00 (610x457x102)	A-B-A-F-F-A-B-A	A-B-A-F-F-A-B-A
SC183004	SC183004NK	SC183004G	SC183004GNK	16/16	Yes	30.00x18.00x4.00 (762x457x102)	A-B-A-F-F-A-B-A	A-B-A-F-F-A-B-A
SC242404	SC242404NK	SC242404G	SC242404GNK	14/14	Yes	24.00x24.00x4.00 (610x610x102)	A-B-A-F-F-A-B-A	A-B-A-F-F-A-B-A
SC060606	SC060606NK	SC060606G	SC060606GNK	16/16	Yes	6.00x6.00x6.00 (152x152x152)	A-B-A	A-B-A
SC060806	SC060806NK	SC060806G	SC060806GNK	16/16	Yes	8.00x6.00x6.00 (203x152x152)	A-B-A	A-B-A
SC061206	SC061206NK	SC061206G	SC061206GNK	16/16	Yes	12.00x6.00x6.00 (305x152x152)	A-B-A	B-A-F-F-A-B
SC080806	SC080806NK	SC080806G	SC080806GNK	16/16	Yes	8.00x8.00x6.00 (203x203x152)	A-B-A	A-B-A
SC081006	SC081006NK	SC081006G	SC081006GNK	16/16	Yes	10.00x8.00x6.00 (254x203x152)	A-B-A	B-A-F-F-A
SC081206	SC081206NK	SC081206G	SC081206GNK	16/16	Yes	12.00x8.00x6.00 (305x203x152)	A-B-A	B-A-F-F-A-B
SC101006	SC101006NK	SC101006G	SC101006GNK	16/16	Yes	10.00x10.00x6.00 (254x254x152)	B-A-F-F-A	B-A-F-F-A
SC101206	SC101206NK	SC101206G	SC101206GNK	16/16	Yes	12.00x10.00x6.00 (305x254x152)	B-A-F-F-A	B-A-F-F-A-B
SC121206	SC121206NK	SC121206G	SC121206GNK	16/16	Yes	12.00x12.00x6.00 (305x305x152)	B-A-F-F-A-B	B-A-F-F-A-B
SC121506	SC121506NK	SC121506G	SC121506GNK	16/16	Yes	15.00x12.00x6.00 (381x305x152)	B-A-F-F-A-B	A-B-A-F-F-A-B-A
SC121806	SC121806NK	SC121806G	SC121806GNK	16/16	Yes	18.00x12.00x6.00 (457x305x152)	B-A-F-F-A-B	A-B-A-F-F-A-B-A
SC122406	SC122406NK	SC122406G	SC122406GNK	16/16	Yes	24.00x12.00x6.00 (610x305x152)	B-A-F-F-A-B	A-B-A-F-F-A-B-A

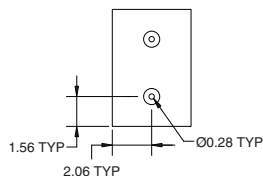
Note: Must specify CSA Label when ordering.
Consult factory for dimensions and drawings
on 8", 10" and 12" deep enclosures.

Note: 8", 10" and 12" deep
enclosures do not have mounting
embosses in back of enclosure,
only mounting holes.

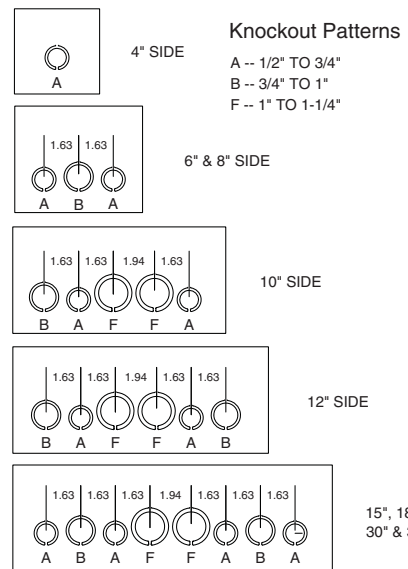
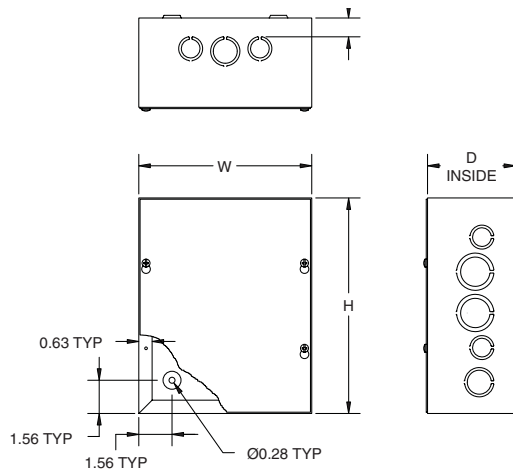
Continued on page A4



4.00" X 4.00" MOUNTING



4.00" X 6.00" MOUNTING



15", 18", 24",
30" & 36" SIDE.

**SC SERIES ENCLOSURES
NEMA 1 SCREW COVER WALL-MOUNT**

SC SERIES SCREW COVER PULL BOX ENCLOSURES (CONT.)								
CATALOG NUMBER				BODY/DOOR STEEL GAUGE	COVERS ONLY See Page A5	ENCLOSURE SIZE H+1/8", W+1/8", D+3/16"	KNOCKOUT PATTERN	
PAINTED		GALVANIZED					WIDTH SIDE	HEIGHT SIDE
W/KNOCKOUTS	W/O KNOCKOUTS	W/KNOCKOUTS	W/O KNOCKOUTS					
SC151506	SC151506NK	SC151506G	SC151506GNK	16/16	Yes	15.00x15.00x6.00 (381x381x152)	A-B-A-F-F-A-B-A	A-B-A-F-F-A-B-A
SC151806	SC151806NK	SC151806G	SC151806GNK	16/16	Yes	18.00x15.00x6.00 (457x381x152)	A-B-A-F-F-A-B-A	A-B-A-F-F-A-B-A
SC181806	SC181806NK	SC181806G	SC181806GNK	16/16	Yes	18.00x18.00x6.00 (457x457x152)	A-B-A-F-F-A-B-A	A-B-A-F-F-A-B-A
SC182406	SC182406NK	SC182406G	SC182406GNK	16/16	Yes	24.00x18.00x6.00 (610x457x152)	A-B-A-F-F-A-B-A	A-B-A-F-F-A-B-A
SC242406	SC242406NK	SC242406G	SC242406GNK	14/14	Yes	24.00x24.00x6.00 (610x610x152)	A-B-A-F-F-A-B-A	A-B-A-F-F-A-B-A
SC243006	SC243006NK	SC243006G	SC243006GNK	14/14	No	30.00x24.00x6.00 (762x610x152)	A-B-A-F-F-A-B-A	A-B-A-F-F-A-B-A
+SC080808	+SC080808NK	+SC080808G	+SC080808GNK	16/16	Yes	8.00x8.00x8.00 (203x203x203)	A-B-A	A-B-A
+SC121208	+SC121208NK	+SC121208G	+SC121208GNK	16/16	Yes	12.00x12.00x8.00 (305x305x203)	B-A-F-F-A-B	B-A-F-F-A-B
+SC121608	+SC121608NK	+SC121608G	+SC121608GNK	16/16	No	16.00x12.00x8.00 (406x305x203)	B-A-F-F-A-B	A-B-A-F-F-A-B-A
+SC121808	+SC121808NK	+SC121808G	+SC121808GNK	16/16	Yes	18.00x12.00x8.00 (457x305x203)	B-A-F-F-A-B	A-B-A-F-F-A-B-A
+SC122408	+SC122408NK	+SC122408G	+SC122408GNK	16/16	Yes	24.00x12.00x8.00 (610x305x203)	B-A-F-F-A-B	A-B-A-F-F-A-B-A
+SC181808	+SC181808NK	+SC181808G	+SC181808GNK	16/16	Yes	18.00x18.00x8.00 (457x457x203)	A-B-A-F-F-A-B-A	A-B-A-F-F-A-B-A
+SC182408	+SC182408NK	+SC182408G	+SC182408GNK	16/16	Yes	24.00x18.00x8.00 (610x457x203)	A-B-A-F-F-A-B-A	A-B-A-F-F-A-B-A
+SC242408	+SC242408NK	+SC242408G	+SC242408GNK	14/14	Yes	24.00x24.00x8.00 (610x610x203)	A-B-A-F-F-A-B-A	A-B-A-F-F-A-B-A
+SC243008	+SC243008NK	+SC243008G	+SC243008GNK	14/14	No	30.00x24.00x8.00 (762x610x203)	A-B-A-F-F-A-B-A	A-B-A-F-F-A-B-A
+SC243608	+SC243608NK	+SC243608G	+SC243608GNK	14/14	No	36.00x24.00x8.00 (914x610x203)	A-B-A-F-F-A-B-A	A-B-A-F-F-A-B-A
—	+SC303008NK	—	+SC303008GNK	12/12	No	30.00x30.00x8.00 (762x762x203)	A-B-A-F-F-A-B-A	A-B-A-F-F-A-B-A
—	+SC303608NK	—	+SC303608GNK	12/12	No	36.00x30.00x8.00 (914x762x203)	A-B-A-F-F-A-B-A	A-B-A-F-F-A-B-A
—	+SC363608NK	—	+SC363608GNK	12/12	No	36.00x36.00x8.00 (914x914x203)	A-B-A-F-F-A-B-A	A-B-A-F-F-A-B-A
+SC121210	+SC121210NK	+SC121210G	+SC121210GNK	16/16	Yes	12.00x12.00x10.00 (305x305x254)	B-A-F-F-A-B	B-A-F-F-A-B
+SC121810	+SC121810NK	+SC121810G	+SC121810GNK	16/16	Yes	18.00x12.00x10.00 (457x305x254)	B-A-F-F-A-B	A-B-A-F-F-A-B-A
+SC122410	+SC122410NK	+SC122410G	+SC122410GNK	16/16	Yes	24.00x12.00x10.00 (610x305x254)	B-A-F-F-A-B	A-B-A-F-F-A-B-A
+SC181810	+SC181810NK	+SC181810G	+SC181810GNK	16/16	Yes	18.00x18.00x10.00 (457x457x254)	A-B-A-F-F-A-B-A	A-B-A-F-F-A-B-A
+SC182410	+SC182410NK	+SC182410G	+SC182410GNK	16/16	Yes	24.00x18.00x10.00 (610x457x254)	A-B-A-F-F-A-B-A	A-B-A-F-F-A-B-A
+SC242410	+SC242410NK	+SC242410G	+SC242410GNK	14/14	Yes	24.00x24.00x10.00 (610x610x254)	A-B-A-F-F-A-B-A	A-B-A-F-F-A-B-A
+SC243010	+SC243010NK	+SC243010G	+SC243010GNK	14/14	No	30.00x24.00x10.00 (762x610x254)	A-B-A-F-F-A-B-A	A-B-A-F-F-A-B-A
—	+SC303010NK	—	+SC303010GNK	12/12	No	30.00x30.00x10.00 (762x762x254)	A-B-A-F-F-A-B-A	A-B-A-F-F-A-B-A
—	+SC303610NK	—	+SC303610GNK	12/12	No	36.00x30.00x10.00 (914x762x254)	A-B-A-F-F-A-B-A	A-B-A-F-F-A-B-A
+SC243610	+SC243610NK	+SC243610G	+SC243610GNK	14/14	No	36.00x24.00x10.00 (914x610x254)	A-B-A-F-F-A-B-A	A-B-A-F-F-A-B-A
—	+SC363610NK	—	+SC363610GNK	12/12	No	36.00x36.00x10.00 (914x914x254)	A-B-A-F-F-A-B-A	A-B-A-F-F-A-B-A
+SC121212	+SC121212NK	+SC121212G	+SC121212GNK	16/16	Yes	12.00x12.00x12.00 (305x305x305)	B-A-F-F-A-B	B-A-F-F-A-B

(+) All products, unless otherwise denoted by a (+), are: H+1/8", W+1/8", D+3/16"

Continued on page A5

SC SERIES ENCLOSURES NEMA 1 SCREW COVER WALL-MOUNT

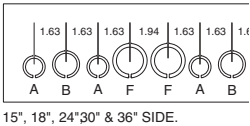
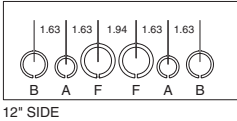
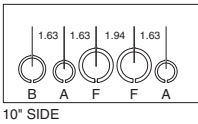
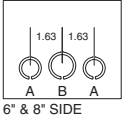
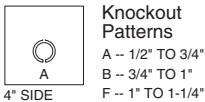
A5

SC SERIES SCREW COVER PULL BOX ENCLOSURES (CONT.)								
CATALOG NUMBER				BODY/DOOR STEEL GAUGE	COVERS ONLY See Chart Below	ENCLOSURE SIZE H+ $\frac{1}{8}$ ", W+ $\frac{1}{8}$ ", D+ $\frac{3}{16}$ "	KNOCKOUT PATTERN	
PAINTED		GALVANIZED					WIDTH SIDE	HEIGHT SIDE
W/KNOCKOUTS	W/O KNOCKOUTS	W/KNOCKOUTS	W/O KNOCKOUTS					
+ SC122412	+ SC122412NK	+ SC122412G	+ SC122412GNK	16/16	Yes	24.00x12.00x12.00 (610x305x305)	B-A-F-F-A-B	A-B-A-F-F-A-B-A
+ SC181812	+ SC181812NK	+ SC181812G	+ SC181812GNK	16/16	Yes	18.00x18.00x12.00 (457x457x305)	A-B-A-F-F-A-B-A	A-B-A-F-F-A-B-A
+ SC182412	+ SC182412NK	+ SC182412G	+ SC182412GNK	16/16	Yes	24.00x18.00x12.00 (610x457x305)	A-B-A-F-F-A-B-A	A-B-A-F-F-A-B-A
+ SC242412	+ SC242412NK	+ SC242412G	+ SC242412GNK	14/14	Yes	24.00x24.00x12.00 (610x610x305)	A-B-A-F-F-A-B-A	A-B-A-F-F-A-B-A
+ SC243012	+ SC243012NK	+ SC243012G	+ SC243012GNK	14/14	No	30.00x24.00x12.00 (762x610x305)	A-B-A-F-F-A-B-A	A-B-A-F-F-A-B-A
+ SC243612	+ SC243612NK	+ SC243612G	+ SC243612GNK	14/14	No	36.00x24.00x12.00 (914x610x305)	A-B-A-F-F-A-B-A	A-B-A-F-F-A-B-A
—	+ SC303012NK	—	+ SC303012GNK	12/12	No	30.00x30.00x12.00 (762x762x305)	A-B-A-F-F-A-B-A	A-B-A-F-F-A-B-A
—	+ SC303612NK	—	+ SC303612GNK	12/12	No	36.00x30.00x12.00 (914x762x305)	A-B-A-F-F-A-B-A	A-B-A-F-F-A-B-A
—	+ SC363612NK	—	+ SC363612GNK	12/12	No	36.00x36.00x12.00 (914x914x305)	A-B-A-F-F-A-B-A	A-B-A-F-F-A-B-A

(+) All products, unless otherwise denoted by a (+), are: H+1/8", W+1/8", D+3/16"

Note: Must specify CSA Label when ordering. Consult factory for dimensions and drawings on 8", 10" and 12" deep enclosures.

Note: 8", 10" and 12" deep enclosures do not have mounting embosses in back of enclosure, only mounting holes.



SURFACE & FLUSH COVERS ONLY				FLUSH COVER SIZE A X B	FOR BOX SIZE H X W**
SURFACE PNTD.	SURFACE GALV.	FLUSH PAINTED	FLUSH GALV.		
SC0404	SC0404G	SCF0404	SCF0404G	6.00x6.00 (152x152)	4.00x4.00 (102x102)
SC0406	SC0406G	SCF0406	SCF0406G	8.00x6.00 (203x152)	6.00x4.00 (102x102)
SC0606	SC0606G	SCF0606	SCG0606G	8.00x8.00 (203x203)	6.00x6.00 (152x152)
SC0608	SC0608G	SCF0608	SCF0608G	10.00x8.00 (254x203)	8.00x6.00 (203x152)
SC0612	SC0612G	SCF0612	SCF0612G	14.00x8.00 (356x203)	12.00x6.00 (305x152)
SC0808	SC0808G	SCF0808	SCF0808G	10.00x10.00 (254x254)	8.00x8.00 (203x203)
SC0810	SC0810G	SCF0810	SCF0810G	12.00x10.00 (305x254)	10.00x8.00 (254x203)
SC0812	SC0812G	SCF0812	SCF0812G	14.00x10.00 (356x254)	12.00x8.00 (305x203)
SC1010	SC1010G	SCF1010	SCF1010G	12.00x12.00 (305x305)	10.00x10.00 (254x254)
SC1012	SC1012G	SCF1012	SCF1012G	14.00x12.00 (356x305)	12.00x10.00 (305x254)
SC1212	SC1212G	SCF1212	SCF1212G	14.00x14.00 (356x356)	12.00x12.00 (305x305)
SC1215	SC1215G	SCF1215	SCF1215G	17.00x14.00 (432x356)	15.00x12.00 (381x305)
SC1216	SC1216G	SCF1216	SCF1216G	18.00x14.00 (457x356)	16.00x12.00 (406x305)
SC1218	SC1218G	SCF1218	SCF1218G	20.00x14.00 (508x356)	18.00x12.00 (457x305)
SC1224	SC1224G	SCF1224	SCF1224G	26.00x14.00 (660x356)	24.00x12.00 (610x305)
SC1515	SC1515G	SCF1515	SCF1515G	17.00x17.00 (432x432)	15.00x15.00 (381x381)
SC1518	SC1518G	SCF1518	SCF1518G	20.00x17.00 (508x432)	18.00x15.00 (457x381)
SC1616	SC1616G	SCF1616	SCF1616G	18.00x18.00 (457x457)	16.00x16.00 (406x406)
SC1818	SC1818G	SCF1818	SCF1818G	20.00x20.00 (508x508)	18.00x18.00 (457x457)
SC1824	SC1824G	SCF1824	SCF1824G	26.00x20.00 (660x508)	24.00x18.00 (610x457)
SC1830	SC1830G	SCF1830	SCF1830G	32.00x20.00 (813x508)	30.00x18.00 (762x457)
SC2424	SC2424G	SCF2424	SCF2424G	26.00x26.00 (660x660)	24.00x24.00 (610x610)

**Surface covers are same size as H x W of box.

