

Section 1: Lubrication Fittings

General Information • **Military Reference** • 1/4"-28 Taper Thread • 1/4"-28 Straight Thread
 1/8" PTF • 1/4" PTF • 1/4"-28 and 1/8" Thread Forming • Drive • Metric
 British Standard Pipe Thread • Monel • Stainless Steel • Standard Button Head
 Giant Button Head • Relief • Flush Type • Pin Type • Hydraulic Shut-Off • Leakproof
 Vents • Breathers • Special Thread • Rivet • Assortments • Header Blocks

Military Reference

Military Std. #	Federal Item ID	Product #
AS-15001-1	4730-050-4203	1641-B
AS-15001-2	4730-172-0001	1680-B
AS-15001-3	4730-050-4205	1637-B1
AS-15001-4	4730-050-4207	1911-B1
AS-15002-1	4730-172-0010	1792-B
AS-15002-3	4730-172-0015	1770-B1
AS-15003-1	4730-050-4208	1610-BL
AS-15003-2	4730-172-0022	1607-B
AS-15003-3	4730-172-0025	1611-B
AS-15003-4	4730-172-0028	1688-B
AS-15003-5	4730-172-0031	1612-B
AS-15003-6	4730-172-0034	1613-B
AS-15004-1	4730-172-0040	1966-B
AS-15004-2	4730-172-0041	1968-B
AS-15004-3	4730-172-0042	1969-B
AS-15005-1	4730-172-0043	1961-B
AS-15005-3	4730-172-0045	1921-B
AS-15005-4	4730-172-0046	1922-B
AS-15005-5	4730-172-0047	1923-B
AS-15006-2	4730-172-0052	1692
AS-15006-4	4730-172-0058	1693
AS-15720-1	N/A	1966-S
AS-15720-2	N/A	1968-S
AS-15720-3	N/A	1969-S
AS-15721-1	N/A	1961-S

Military Std. #	Federal Item ID	Product #
AS-15721-3	N/A	1921-S
AS-15721-4	N/A	1922-S
AS-15721-5	N/A	1923-S
AS-35670-1A	N/A	317400
AS-35670-2A	N/A	47200
AS-35670-3A	N/A	47640
AS-35670-4A	N/A	323060
AS-35670-5A	N/A	47100
AS-35670-7A	N/A	50500

American National Pipe Thread Code

- PTF** SAE short taper pipe thread
- NPTF** American National taper pipe thread for Dryseal pressure-tight joints
- NPSM** American National straight pipe thread for mechanical joints
- NPSI** American National straight intermediate pipe thread
- BSP** British Standard pipe thread

Section 1: Lubrication Fittings

General Information • Military Reference • **1/4"-28 Taper Thread** • 1/4"-28 Straight Thread
 1/8" PTF • 1/4" PTF • 1/4"-28 and 1/8" Thread Forming • Drive • Metric
 British Standard Pipe Thread • Monel • Stainless Steel • Standard Button Head
 Giant Button Head • Relief • Flush Type • Pin Type • Hydraulic Shut-Off • Leakproof
 Vents • Breathers • Special Thread • Rivet • Assortments • Header Blocks

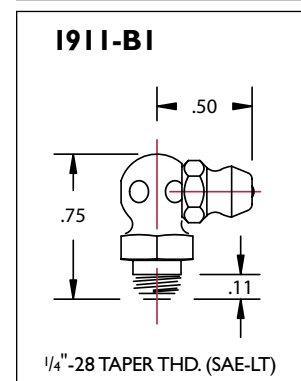
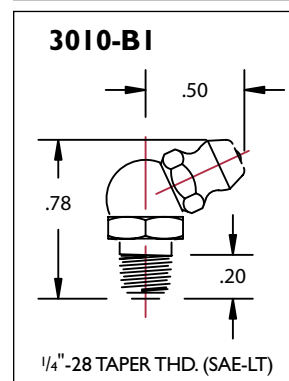
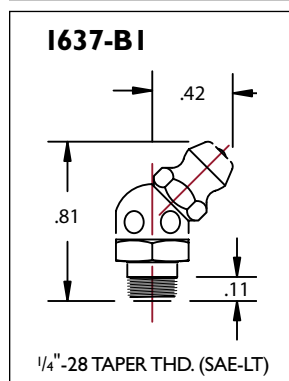
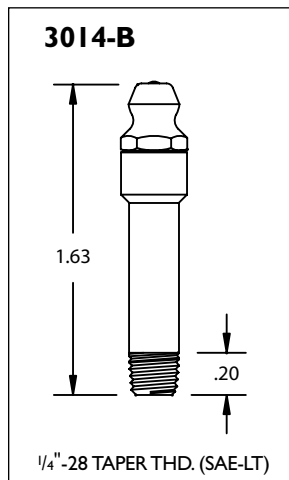
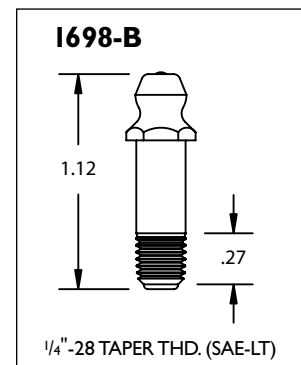
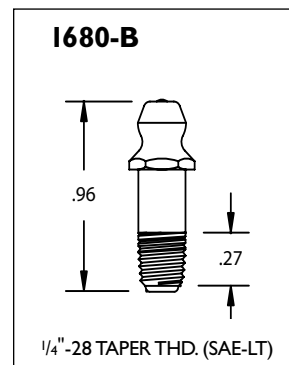
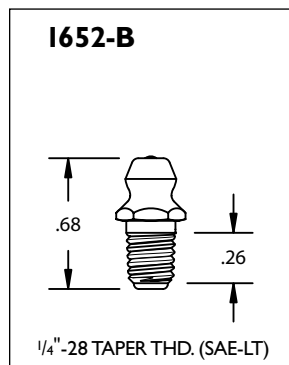
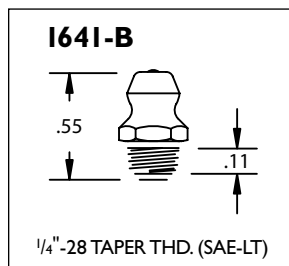
1/4"-28 Taper Thread Fittings

Used on most cars and trucks and many industrial machines. It is recommended that SAE-LT taper threads be assembled into 1/4"-28 UNF, Class 3B, straight threaded holes having a modified maximum minor diameter of 0.2151 in. to insure 75% minimum thread height.

Product #	Type	Overall Length	Shank Length	Hex Size
1641-B	Str.	35/64"	3/16"	5/16"
1652-B	Str.	11/16"	23/64"	5/16"
1680-B	Str.	31/32"	5/8"	5/16"
1698-B	Str.	1-1/8"	25/32"	5/16"
3014-B	Str.	1-5/8"	1"	5/16"
1637-B1	45°	13/16"	13/64"	3/8"
3010-B1	65°	25/32"	19/64"	3/8"
1911-B1	90°	3/4"	13/64"	3/8"
369578	Str.	11/16"	23/64"	5/16"
369575	65°	25/32"	5/16"	3/8"
369576	Str.	35/64"	3/16"	5/16"
369605	Str.	35/64"	5/32"	5/16"

FEATURES:

- Conform to SAE AS3541 I
- Zinc plated
- Maximum pressure: 10,000 psi
- Exceeds 48-hour salt-spray test
- Dirt-excluding ball check

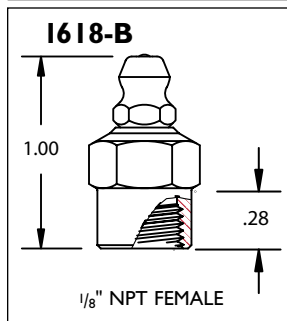
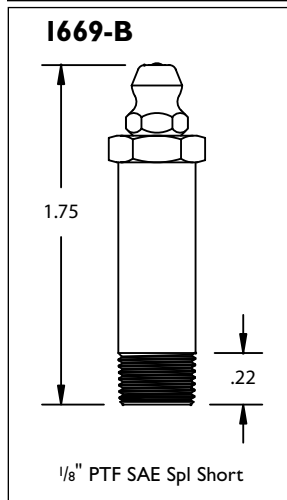
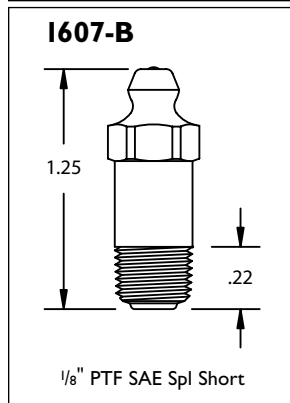
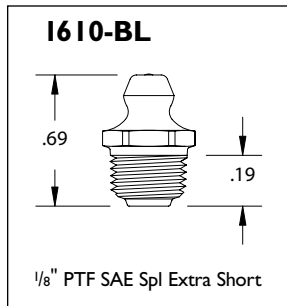
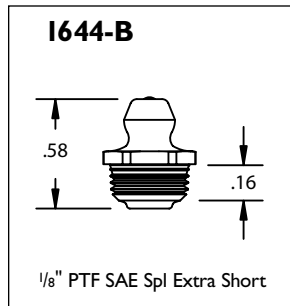


Section 1: Lubrication Fittings

General Information • Military Reference • 1/4"-28 Taper Thread • 1/4"-28 Straight Thread
1/8" PTF • 1/4" PTF • 1/4"-28 and 1/8" Thread Forming • Drive • Metric
 British Standard Pipe Thread • Monel • Stainless Steel • Standard Button Head
 Giant Button Head • Relief • Flush Type • Pin Type • Hydraulic Shut-Off • Leakproof
 Vents • Breathers • Special Thread • Rivet • Assortments • Header Blocks

1/8" PTF Fittings

Used on many industrial machines and heavy equipment.



FEATURES:

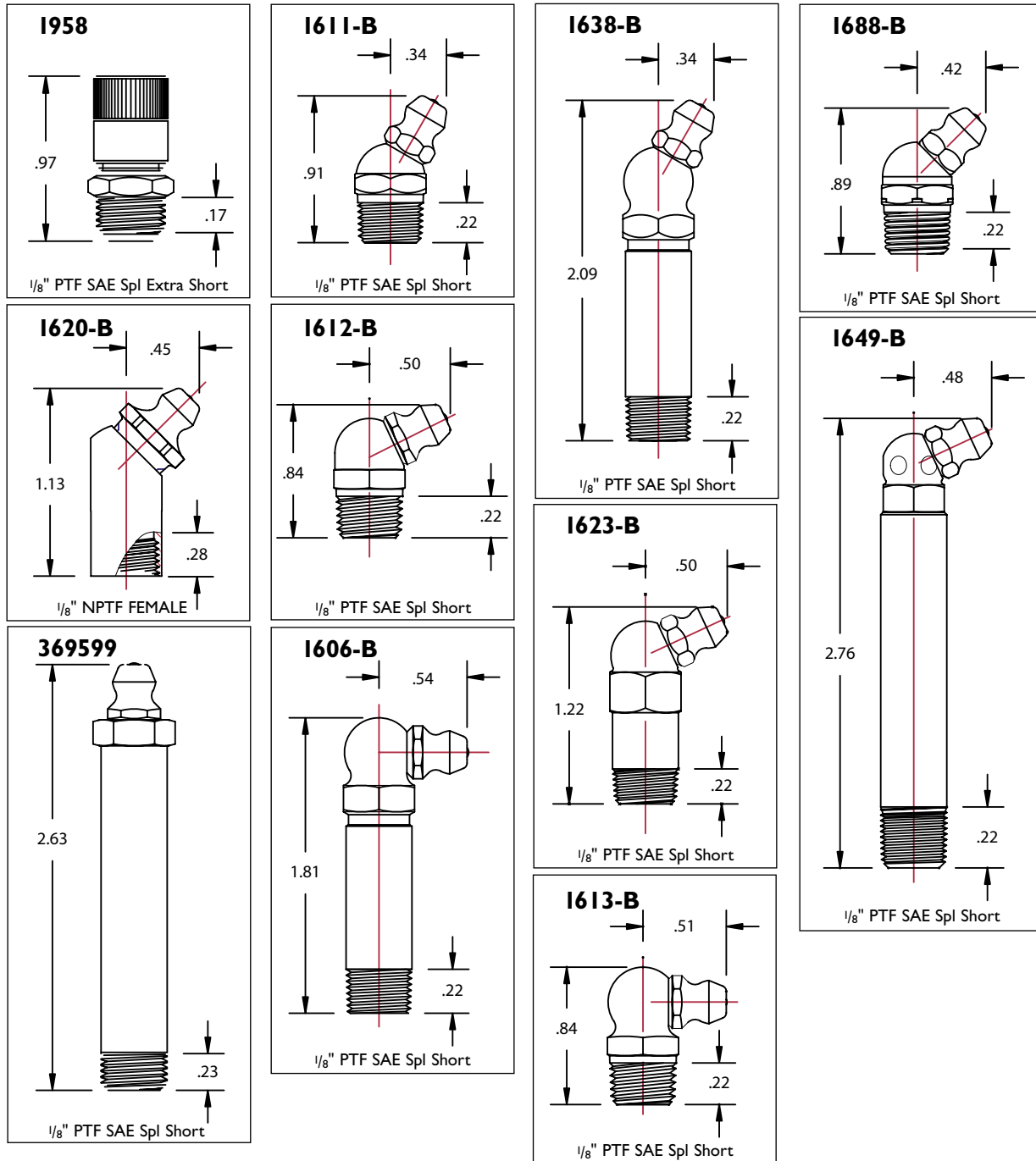
- Dirt-excluding ball check
- Conform to SAE AS3541 I
- Zinc plated
- Maximum pressure: 10,000 psi
- Exceeds 48-hour salt-spray test
- 1958 has specialty cap providing a second seal for dust-proof applications

Product #	Type	Overall Length	Shank Length	Hex Size
1644-B	Str.	9/16"	15/64"	7/16"
1610-BL	Str.	11/16"	19/64"	7/16"
1607-B	Str.	1-1/4"	25/32"	7/16"
1669-B	Str.	1-3/4"	1-17/64"	7/16"
1684-B	Str.	2-5/8"	2-3/16"	3/8"
1618-B	Str.	1"	9/32"	1/2"
1958	Str.	31/32"	1/4"	7/16"
1611-B	30°	29/32"	19/64"	7/16"
1638-B	30°	2-3/32"	1-1/4"	7/16"
1688-B	45°	57/64"	19/64"	7/16"
1620-B	45°	1-1/8"	13/32"	7/16"
1612-B	65°	27/32"	19/64"	7/16"
1623-B	65°	1-7/32"	9/16"	7/16"
1649-B	65°	2-3/4"	2-1/4"	3/8"
1613-B	90°	27/32"	19/64"	7/16"
1606-B	90°	1-13/16"	1-1/4"	7/16"
369599	Str.	2-5/8"	7/32"	7/16"
369615	Str.	11/16"	5/16"	7/16"
369608	65°	29/32"	9/32"	7/16"
369531	Str.	2-9/32"	7/32"	7/16"
369574	Double 70°	27/32"	7/32"	1/2"

Section 1: Lubrication Fittings

General Information • Military Reference • 1/4"-28 Taper Thread • 1/4"-28 Straight Thread
 1/8" PTF • 1/4" PTF • 1/4"-28 and 1/8" Thread Forming • Drive • Metric
 British Standard Pipe Thread • Monel • Stainless Steel • Standard Button Head
 Giant Button Head • Relief • Flush Type • Pin Type • Hydraulic Shut-Off • Leakproof
 Vents • Breathers • Special Thread • Rivet • Assortments • Header Blocks

1/8" PTF Fittings



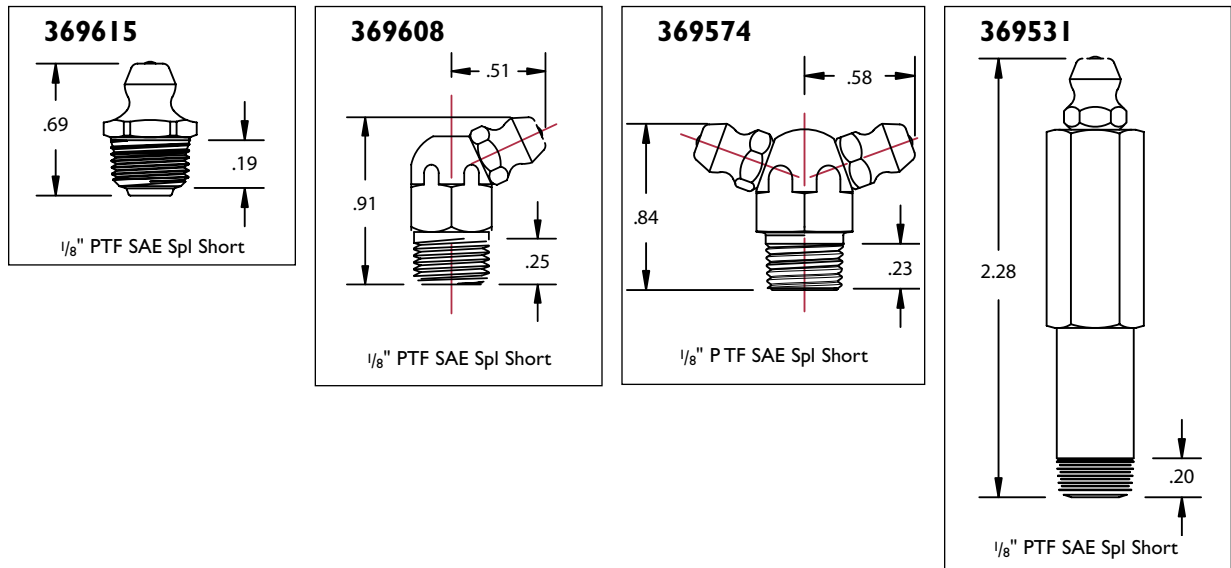
IMPORTANT INFORMATION

NOTE: Geometry modifications and alternate materials available on request. We offer trivalent plating per GMW3044.

Section 1: Lubrication Fittings

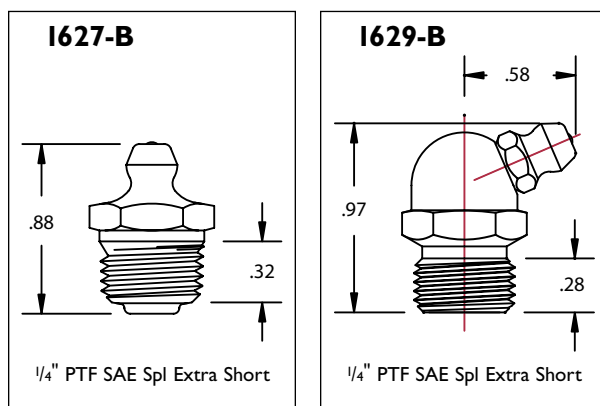
General Information • Military Reference • 1/4"-28 Taper Thread • 1/4"-28 Straight Thread
 1/8" PTF • 1/4" PTF • 1/4"-28 and 1/8" Thread Forming • Drive • Metric
 British Standard Pipe Thread • Monel • Stainless Steel • Standard Button Head
 Giant Button Head • Relief • Flush Type • Pin Type • Hydraulic Shut-Off • Leakproof
 Vents • Breathers • Special Thread • Rivet • Assortments • Header Blocks

1/8" PTF Fittings



1/4" PTF Fittings

Widely used for larger bearings on heavy machinery. Recommended for use with heavy lubrications for cold weather applications.



FEATURES:

- Dirt-excluding ball check
- Maximum pressure: 10,000 psi
- Dry seal eliminates need for sealant
- Zinc plated
- Exceed 48-hour salt-spray test

Product #	Type	Overall Length	Shank Length	Hex Size
1627-B	Str.	7/8"	27/64"	9/16"
1629-B	67.5°	31/32"	11/32"	9/16"

IMPORTANT INFORMATION

NOTE: Geometry modifications and alternate materials available on request. We offer trivalent plating per GMW3044.

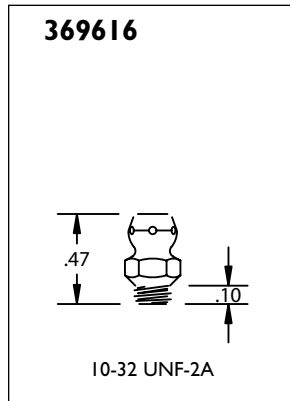
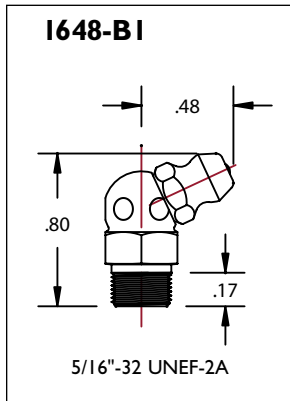
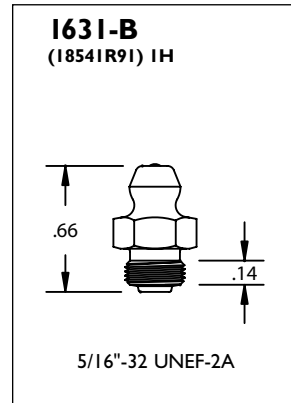
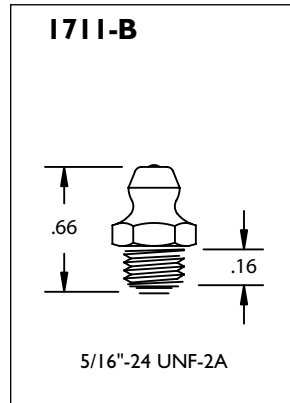
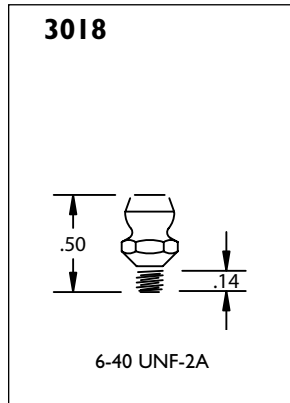
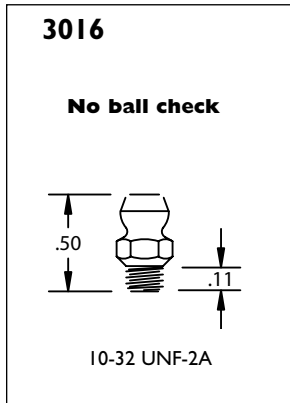
Section 1: Lubrication Fittings

General Information • Military Reference • 1/4"-28 Taper Thread • 1/4"-28 Straight Thread
 1/8" PTF • 1/4" PTF • 1/4"-28 and 1/8" Thread Forming • Drive • Metric
 British Standard Pipe Thread • Monel • Stainless Steel • Standard Button Head
 Giant Button Head • Relief • Flush Type • Pin Type • Hydraulic Shut-Off • Leakproof
 Vents • Breathers • **Special Thread** • Rivet • Assortments • Header Blocks

Special Thread Fittings

Special threads and sizes for special lubrication purposes. All have high-pressure ball check unless otherwise specified.

Product #	Type	Thread	Overall Length	Shank Length	Hex Size
3016*	Str.	10-32 UNF-2A	1/2"	1/8"	1/4"
3018	Str.	6-40 UNF-2A	1/2"	9/64"	1/4"
1711-B	Str.	5/16"-24 UNF-2A	21/32"	5/32"	3/8"
1631-B	Str.	5/16"-32 UNEF-2A	21/32"	15/64"	3/8"
1648-B1	65°	5/16"-32 UNEF-2A	51/64"	7/32"	3/8"
369616	Str.	10-32 UNF-2A	15/32"	5/64"	1/4"



IMPORTANT INFORMATION

* No ball check

NOTE: Geometry modifications and alternate materials available on request. We offer trivalent plating per GMW3044.

Section 1: Lubrication Fittings

General Information • Military Reference • 1/4"-28 Taper Thread • 1/4"-28 Straight Thread
 1/8" PTF • 1/4" PTF • 1/4"-28 and 1/8" Thread Forming • Drive • Metric
 British Standard Pipe Thread • Monel • Stainless Steel • Standard Button Head
 Giant Button Head • Relief • Flush Type • Pin Type • Hydraulic Shut-Off • Leakproof
 Vents • Breathers • Special Thread • Rivet • **Assortments** • Header Blocks

2398-1 Vehicle Fitting Assortment

This assortment contains six types of popular fittings. An identifying chart is included in the cover. Packaged in a durable plastic box.

Product #	Type	Thread	Quantity
1610-BL	Str.	1/8" PTF	24
1688-B	45°	1/8" PTF	12
1613-B	90°	1/8" PTF	12
1641-B	Str.	1/4"-28 Taper	24
1637-B1	45°	1/4"-28 Taper	12
1911-B1	90°	1/4"-28 Taper	12



2364-1 All-Purpose Fitting Assortment

This assortment contains eight types of popular fittings. Also includes two tools for extracting fittings and rethreading holes. An identifying chart is included in the cover. Packaged in a durable metal box.

Product #	Type	Thread	Quantity
1610-BL	Str.	1/8" PTF	36
1611-B	30°	1/8" PTF	12
1688-B	45°	1/8" PTF	12
1612-B	65°	1/8" PTF	12
1613-B	90°	1/8" PTF	12
1641-B	Str.	1/4"-28 Taper	24
1637-B1	45°	1/4"-28 Taper	12
1911-B1	90°	1/4"-28 Taper	12

Product #	Description	Quantity
315790	Fitting Tool for 1/4"-28 thread fittings	1
315791	Fitting Tool for 1/8" PTF fittings	1

