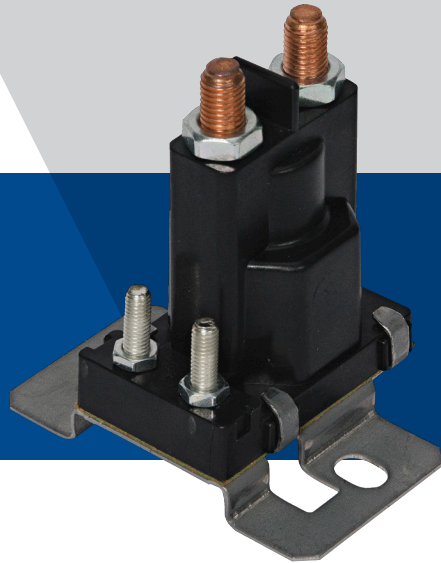


Type 120 DC Power Contactor



- Water and dust resistant
- Capable of handling low and high current requirements
- Isolated or grounded to case coils
- Horizontal or vertical mounting bracket

SPECIFICATIONS

Dielectric Strength

- 500 volts

Temperature Range

- Intermittent
-20°F to 150°F (-28.9°C to 65.6°C)
- Special Material
-40°F to 257°F
- Continuous
-20°F to 120°F (-28.9°C to 48.9°C)

Mechanical Life (no load)

- 100,000 operations

Electrical Life (rated load)

- 50,000 operations

Recommended Mounting Position

- Coil terminals up

Weight (approximate)

- SPNO: 6.0 oz.

Duty Cycle

- Continuous
- Intermittent: maximum 30 seconds “on” and minimum 6 minutes “off”.

Hardware Torque Specification

- Contact Terminal: minimum 45 in 4bs max
- Coil Terminal: 12-18 inch-lbs

Contacts

- Pole form: SPNO
- Material: silver alloy or copper
- Termination: 5/16 -24 UNF-2A thread or 1/14 in. -20 UNC-2A thread

CONTACT RATINGS

Volts DC	Continuous	Inrush	Electrical Life	Contact Material
12VDC	80A	400A	10,000	Copper
12-35VDC	100A	400A	50,000	Silver Alloy
36VDC	100A	400A	25,000	Silver Alloy

Coils

- Voltage: 6 VDC through 48VDC
- Termination: #8-32 24 UNC-2A, #10-32 UNF-2A thread or 1/4 in. quick connect
- Power (approximate)
Continuous: 8.1 watts
Intermittent: 14.4 watts
- Connections
 1. Isolated
 2. One coil lead grounded to case (one terminal)
- Minimum operating voltage
65% of nominal (intermittent)
75% of nominal (continuous)
Maximum 10% over rated coil voltage

COIL DATA

Volts DC	Resistance in Ohms	
	Intermittent	Continuous
6	*	4.0
12	6.0	16.0
14	*	26.0
15	9.4	23.0
24	24.0	64.0
36	54.0	160.0
48	*	256.0

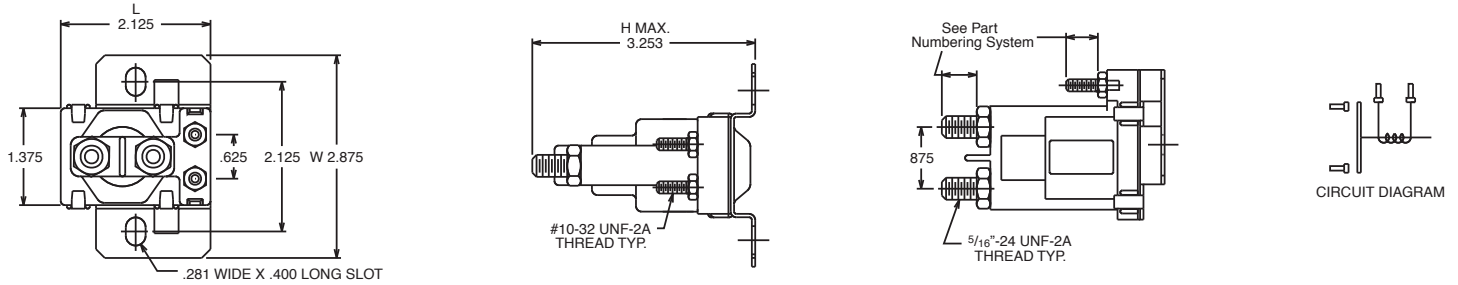
* SPECIAL COILS AVAILABLE UPON REQUEST

Type 120 DC Power Contactor

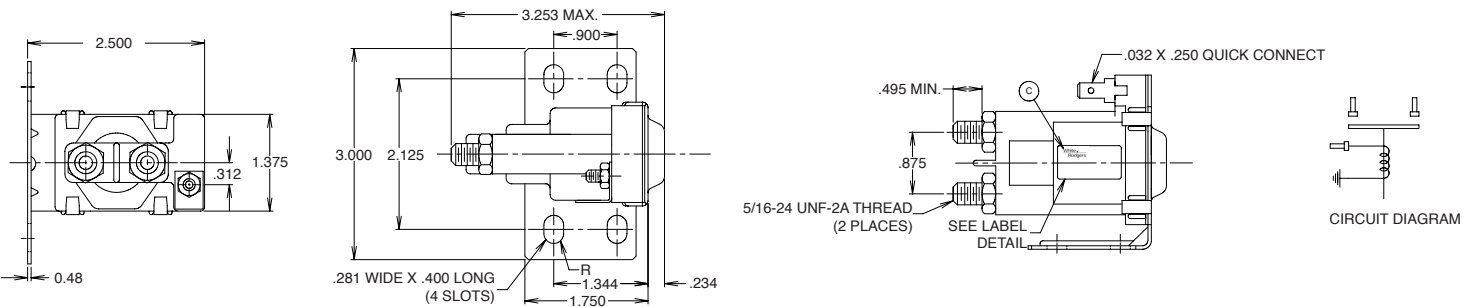
APPLICATION NOTES

- Not all part number combinations are available. Please contact your Sales Representative for available part numbers.
- Contactors applied in battery charging circuits should be protected from higher than rated voltage during charging. The service life may be affected by this condition and the contactor may or may not operate the circuit as intended.
- Circuits should be designed to provide safe operation should the contactor fail in either the open or closed position.
- A back-up wrench must be used to hold the bottom nut stationary during installation.
- 1/4" c's on coil terminals available (see part# system)

TERMINAL TYPE 4: ISOLATED COIL (STD. OR L-BRACKET CONFIGURATION)



TERMINAL TYPE 4: GROUNDED COIL (STD. OR L-BRACKET)



TYPE 120 PART NUMBERING SYSTEM

