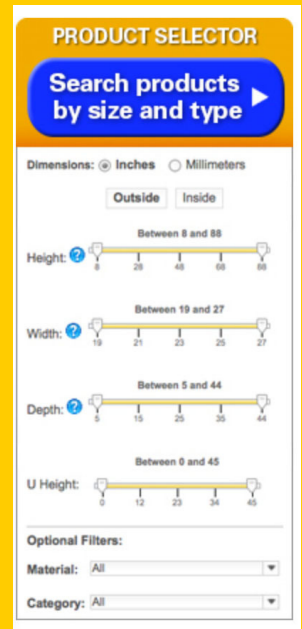


# 5 Steps to Design a Modified Enclosure for 5 Day Delivery With Bud

## Select the Right Box

STEP  
**01**

Choose the perfect enclosure by using Bud's unique product selector tool



STEP  
**02**

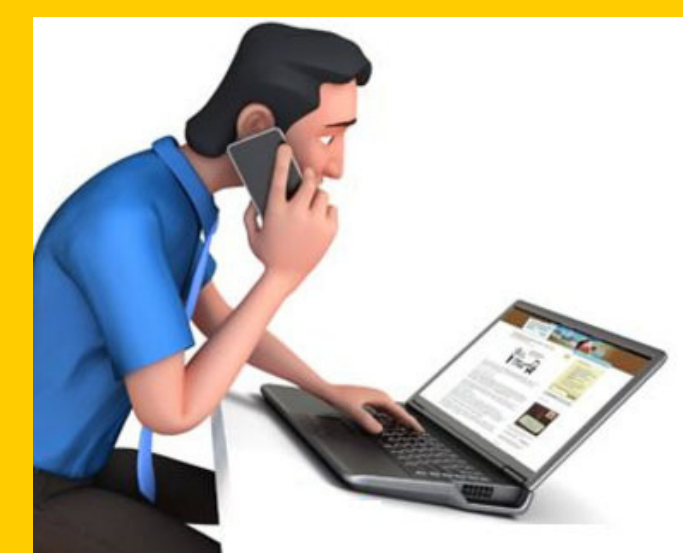
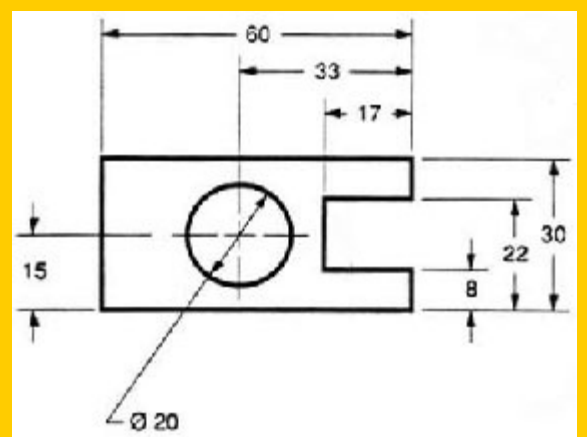
## Choose your Mods

Review your components to select the right size holes and cutouts. Be sure to determine the proper locations for easy installation of your components

## Create a Drawing

STEP  
**03**

Even a sketch will do. Bud's engineering team can review your information and send an approval drawing



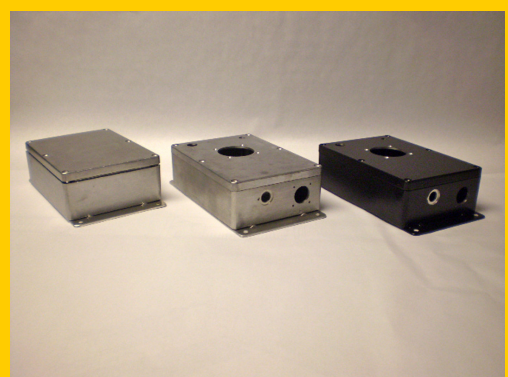
## Get A Quotation

Send Bud or your local distributor a drawing and all of the key information including quantities and specific requirements.

## Place Your Order and Prepare for Delivery

STEP  
**05**

Done! Your product will ship in 5 days after you approve the drawing! Bud can also provide more complex modifications including special colors, sizes, and even printing that take longer, but are still the fastest in the industry. Check out options on our website [www.budind.com](http://www.budind.com).



The Fastest Delivery of Modified Enclosures

